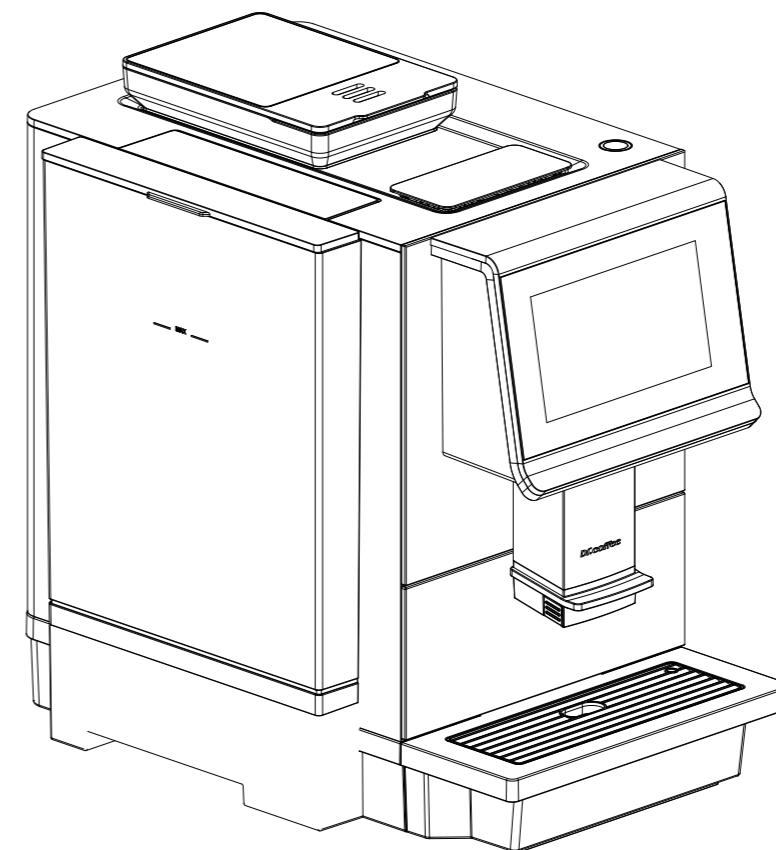


# C12

## Explosive view

---

ISSUE: 02



# Content

C12 Appearance Assembly.....01

C12 Bean Container Assembly.....02

C12 Grinding Vertical Assembly.....03

C12 Water Tank Assembly.....04

C12 Front Display Assembly.....05

Coffee Outlet Slider Assembly.....06

C12 Display Assembly.....07

Coffee Outlet Assembly.....08

Brewer Group.....09

C12 Thermoblock Assembly.....10

C12 Pump Assembly.....11

C12 WATER STORAGE Group.....12

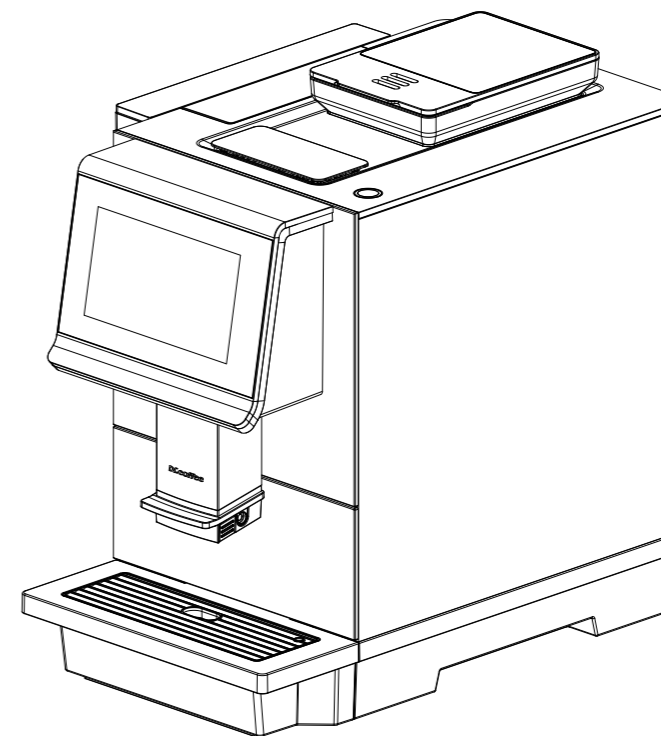
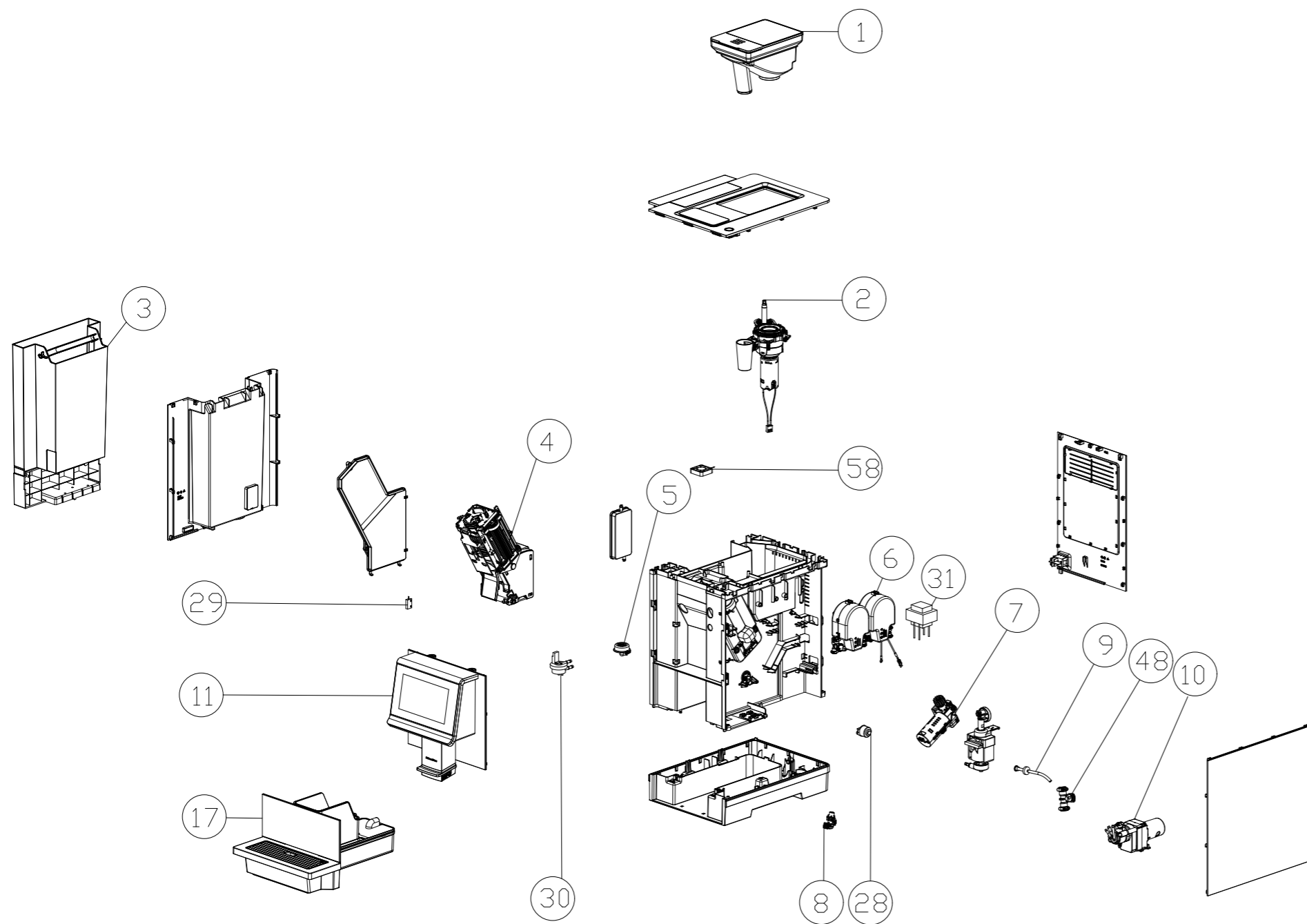
Water Inlet Valve group.....13

C12 Left Cover Group.....14

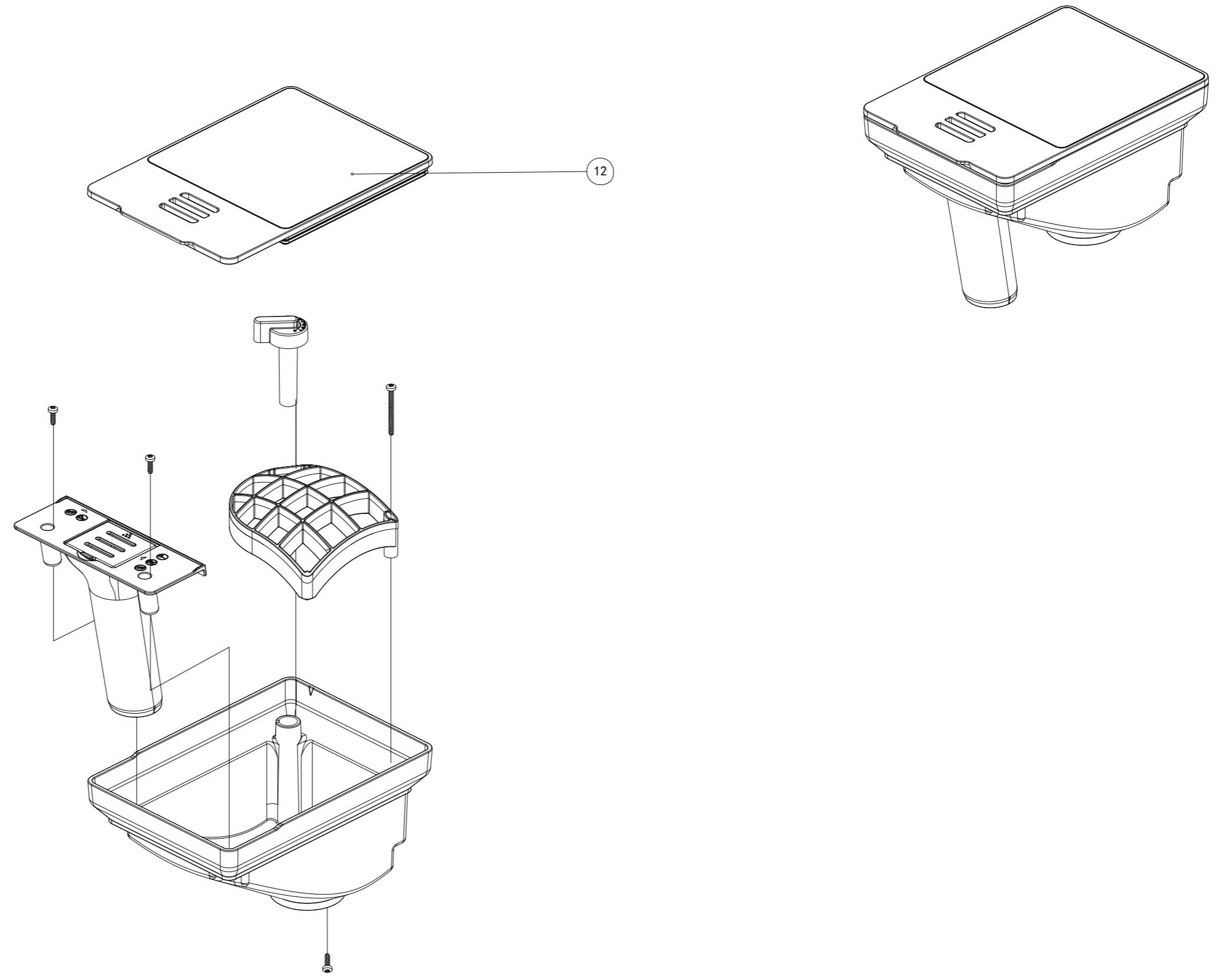
Main Control PCB Group.....15

Top Cover Group.....16

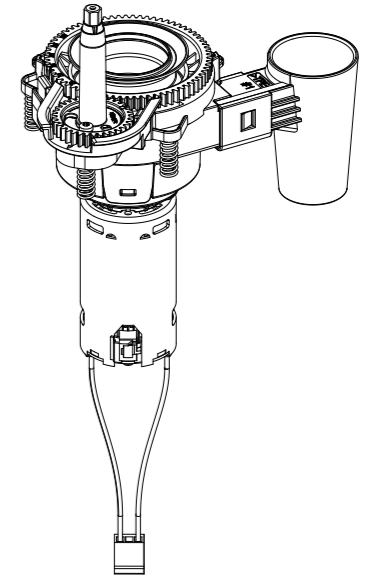
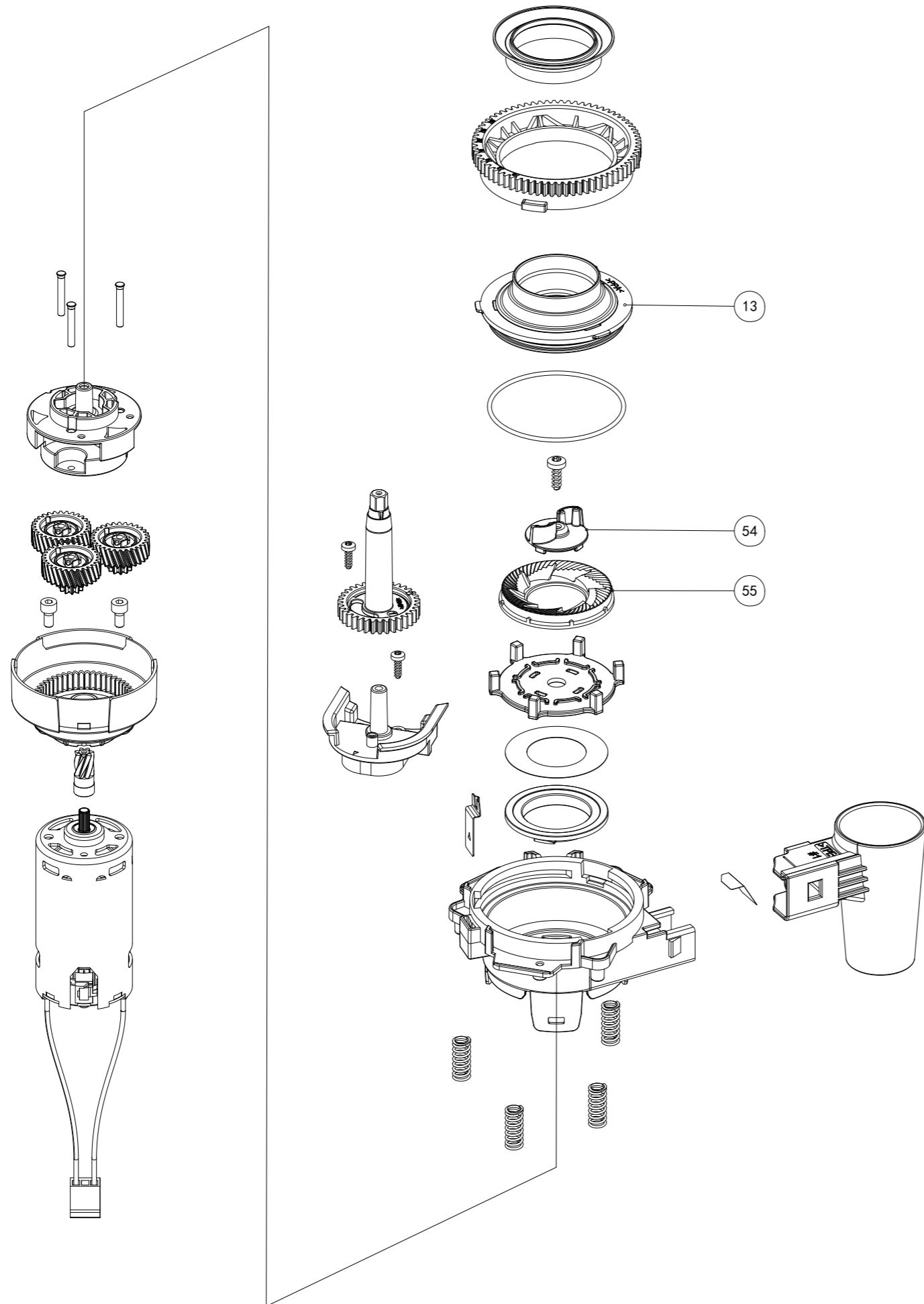
Back Cover Group.....17



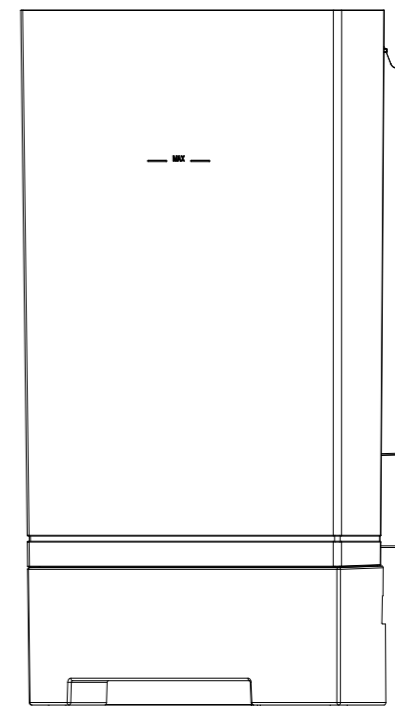
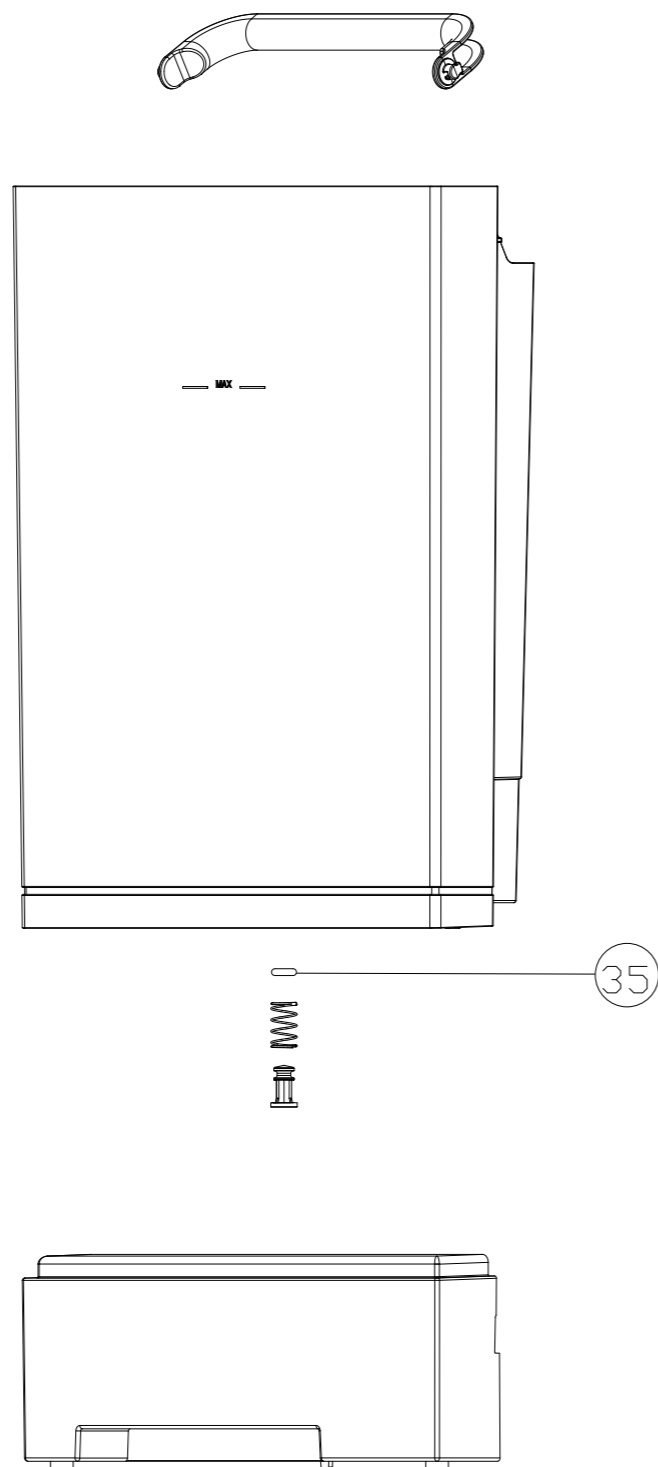
ITEM	DWG NO.	ENGLISH NAME	名称
1	9N0100121	C11 Bean container Assembly	C11豆盒组
2	9N0100118	C11Gring vertical Assembly	C11磨豆组
3	9N0100197	C12 Big Water Tank Assembly	C12大水箱组
4	9N0100458	Brewer Group	冲泡器组
5	9N0100008	Water Inlet Valve group	F11导水座组
6	9N0100119	C11 Thermoblock Assembly	C11电热盘组
7	9N0100129	Brew montor group	C11传动组
8	9N0100004	Dispenser valve 3w	蓄压阀组
9	9N0100054	Air Inlet valve Assembly	鸭嘴阀组
10	9N0100124	Switch valve Assembly	C11分向阀组
11	9N0100196	C12 Front Display Assembly	C12前面板组
17	9N0100175	Drip tray glass Assembly(Black)	C11 蓄水盘玻璃组 (黑色)
28	9D0300004	Steeper motor	泄压步进电机
29	9D0300003	Reed switch	干簧管
30	9D0300053	Flowmeter	流量计
31	9D0300005	Transformer	变压器
48	9S0100035	T-junction	三通铁氟龙接头
58	9D0300066	Fan	C12风扇



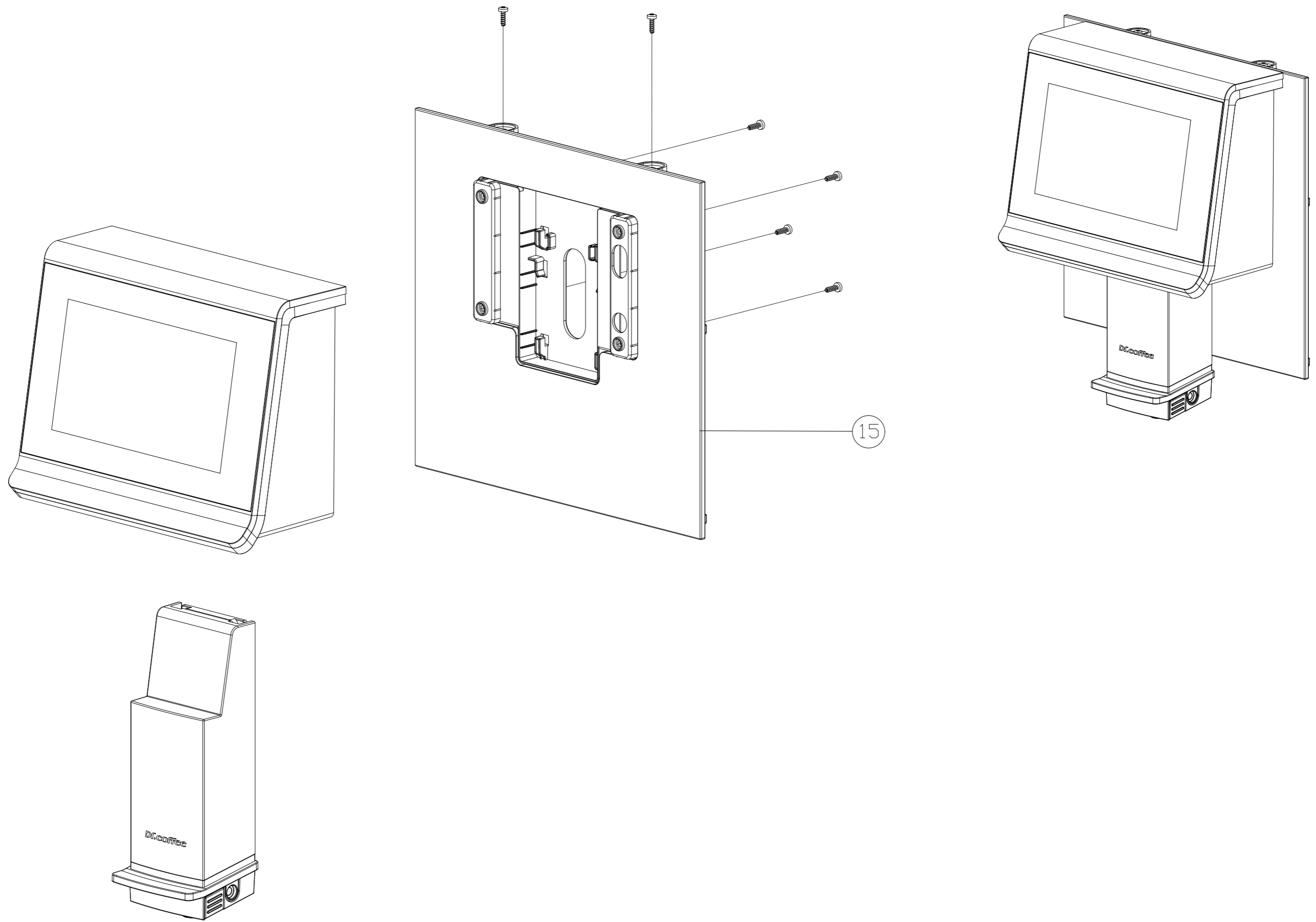
ITEM	DWG NO.	ENGLISH NAME	名称
12	9N0100125	Bean Tank Cover	豆盒盖



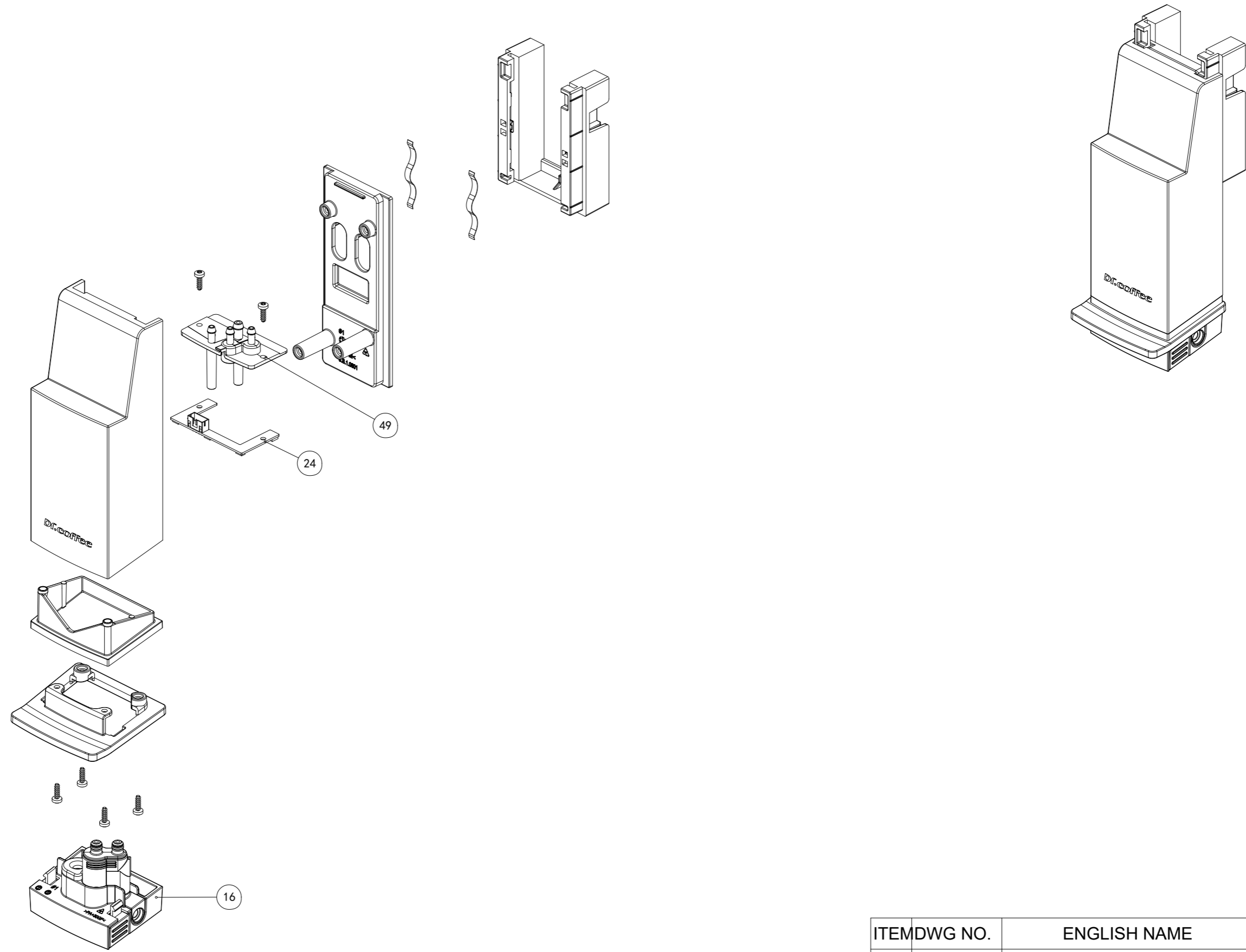
ITEM	DWG NO.	ENGLISH NAME	名称
13	9N0100152	Upper grinder burr assembly	C11 上刀盘组
54	9S0100041	Under burr cover	下刀盖
55	9T0100005	C48 Grinder Burr	陶瓷平刀



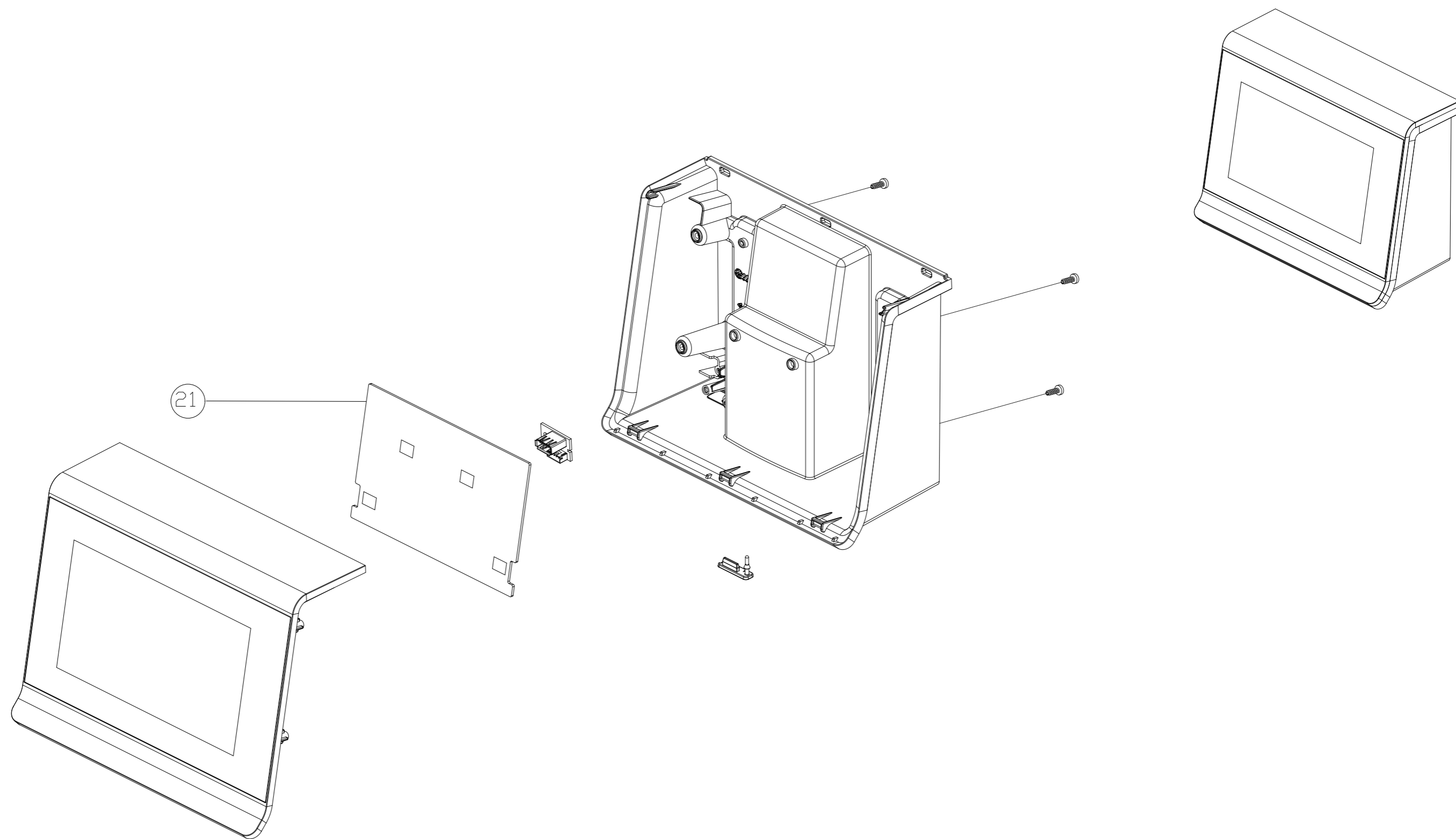
ITEM	DWG NO.	ENGLISH NAME	名称
35	9G0100032	O-ring $\phi 5 * \phi 3.75$	水箱止逆阀密封圈



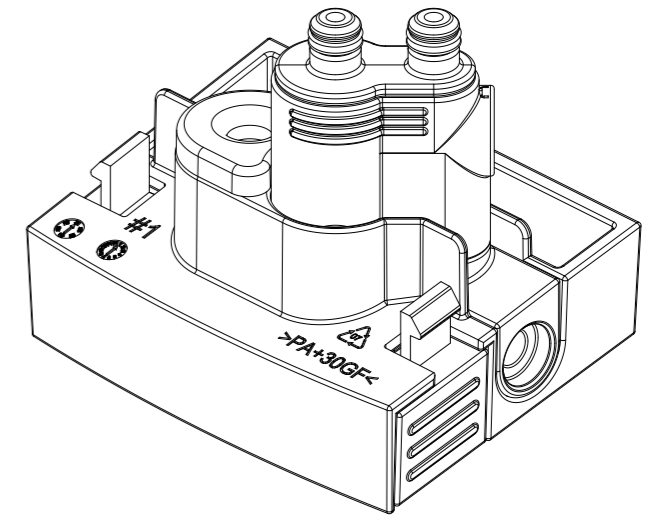
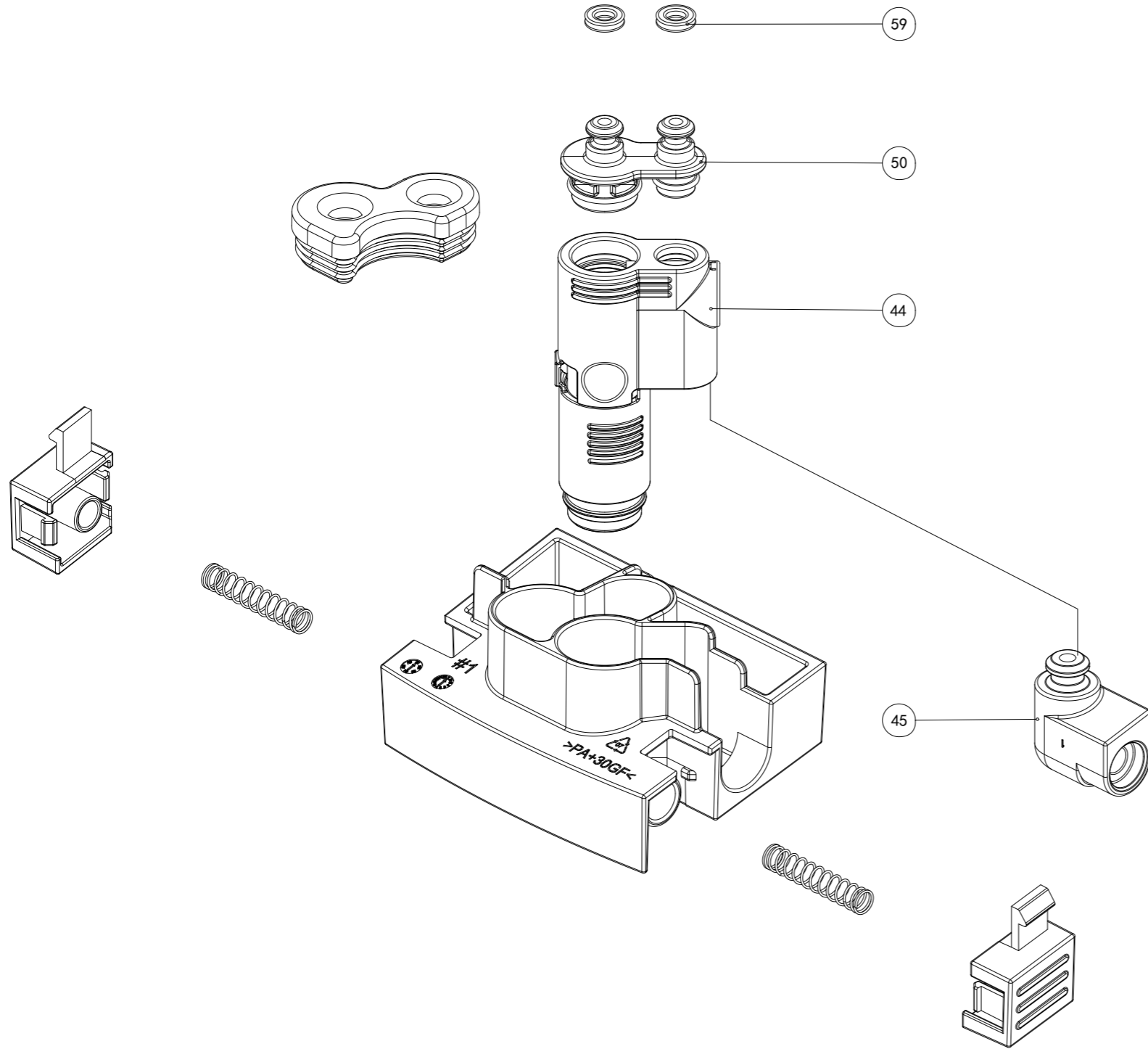
ITEM	DWG NO.	ENGLISH NAME	名称
15	9N0100173	Front Glass Assembly(Black)	前面板玻璃组 (黑色)



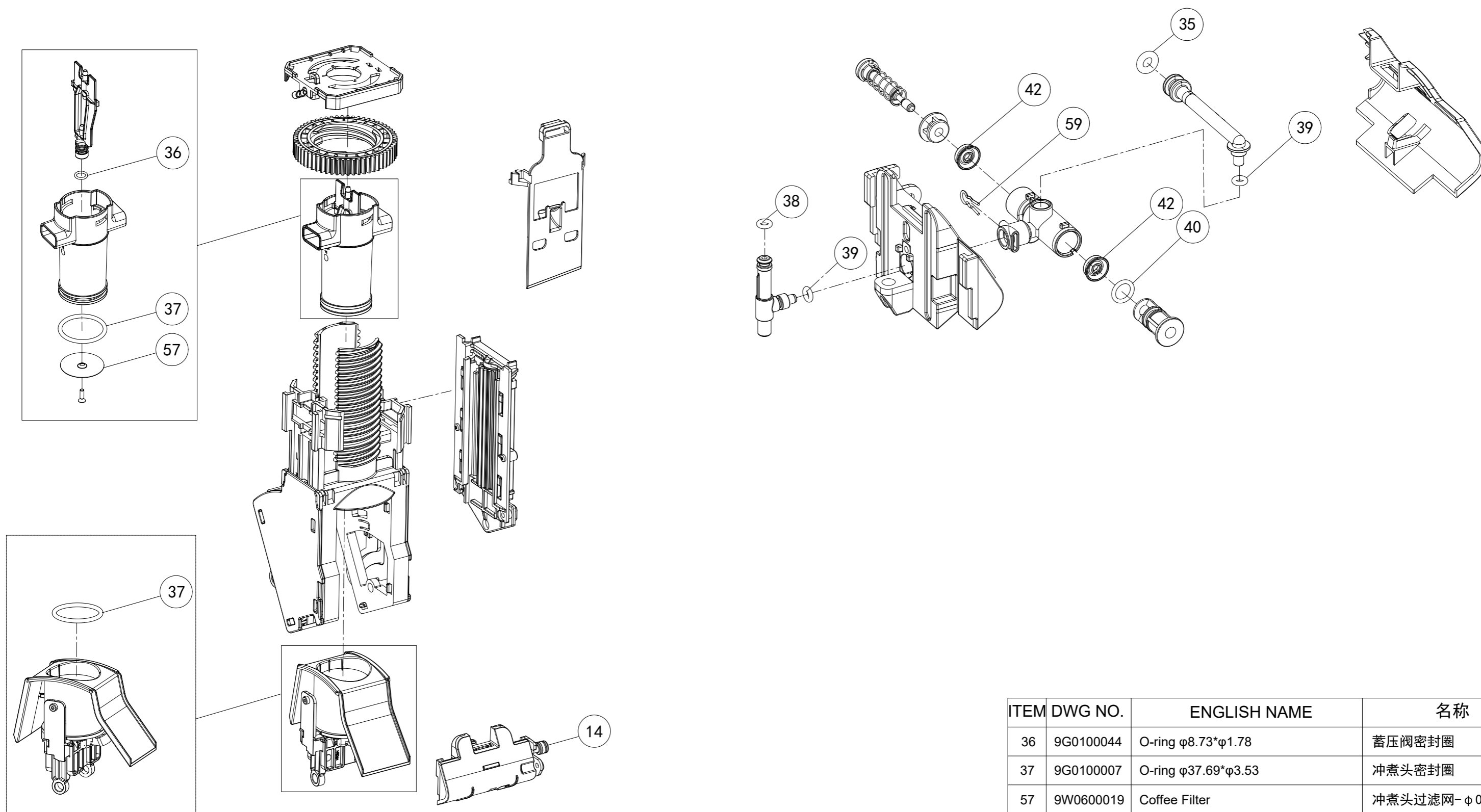
ITEM	DWG NO.	ENGLISH NAME	名称
16	9N0100174	Coffee Outlet Assembly	咖啡出口组
24	9D0100027	Light Bar Board	灯板
49	9S0100043	Coffee Outlet Connector	咖啡出口分接头



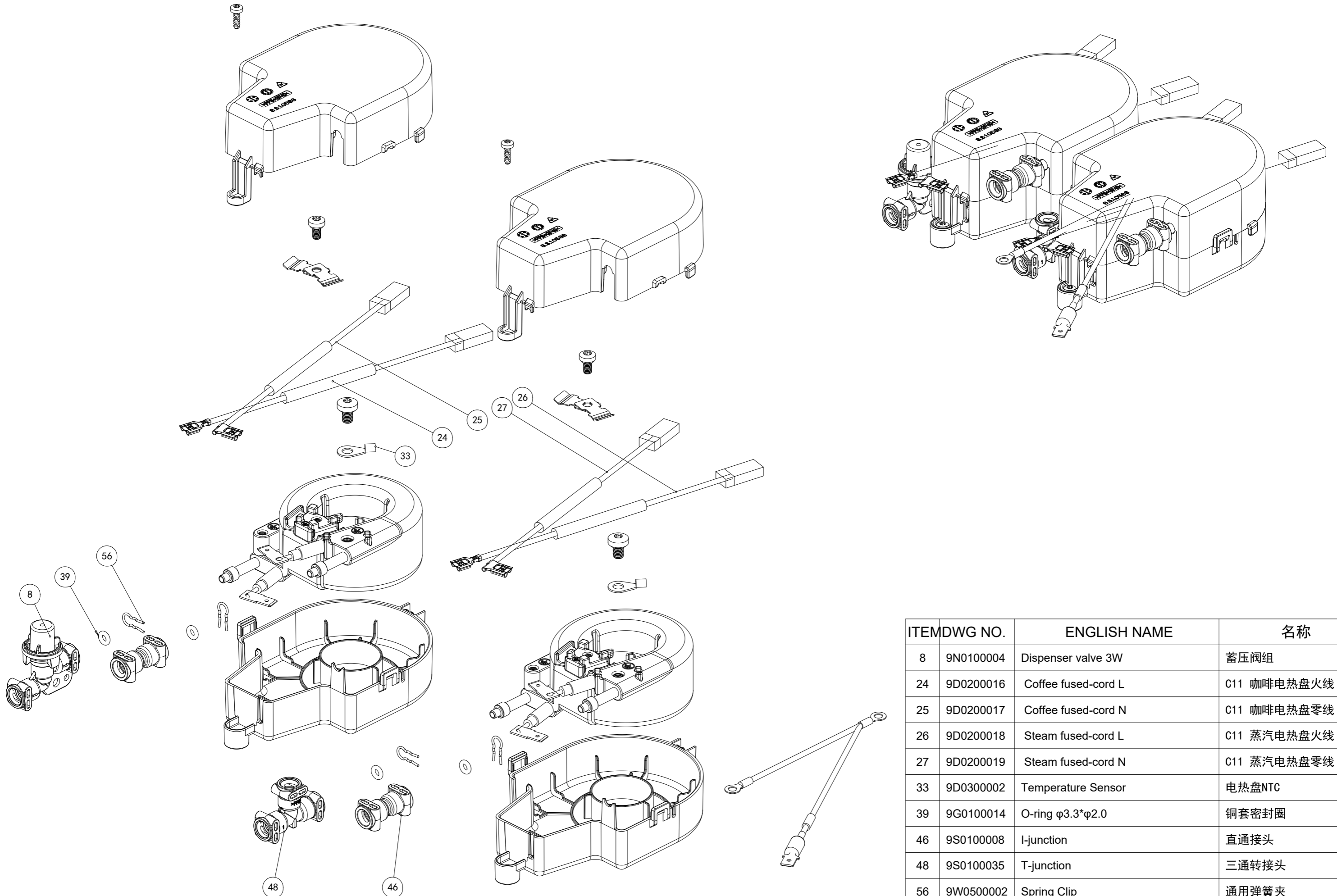
ITEM	DWG NO.	ENGLISH NAME	名称
21	9D0100025	C11 HMI Board	C11 HMI板



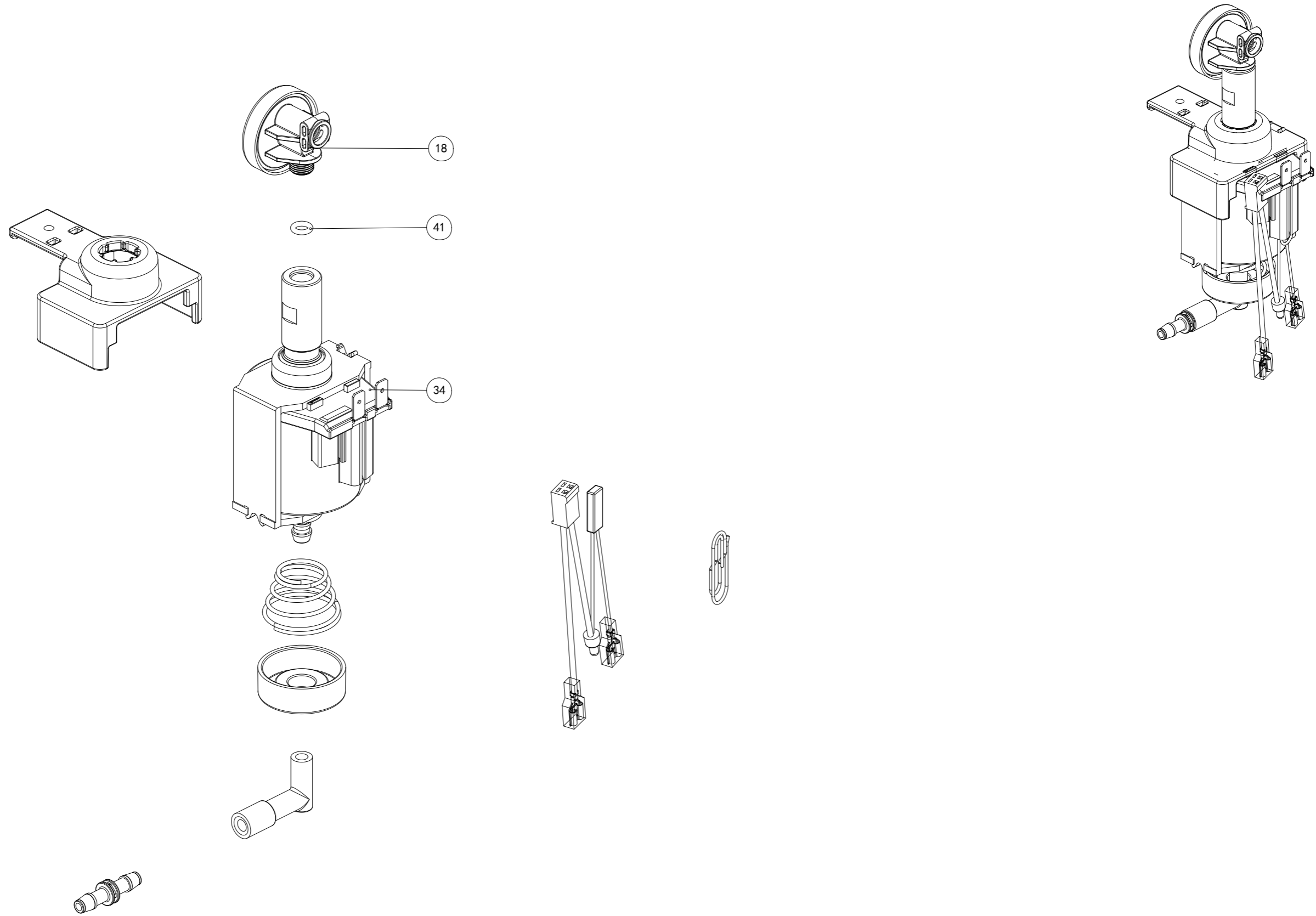
ITEM	DWG NO.	ENGLISH NAME	名称
59	9G0100053	X-ring $\phi 3.69 \times \phi 1.78$	C11蒸汽喷嘴密封圈
44	9G0200014	Milk Frother	奶沫器
45	9G0200015	Milk Frother Connector	奶沫器转接头
50	9S0100044	Steam Nozzle	蒸汽喷嘴



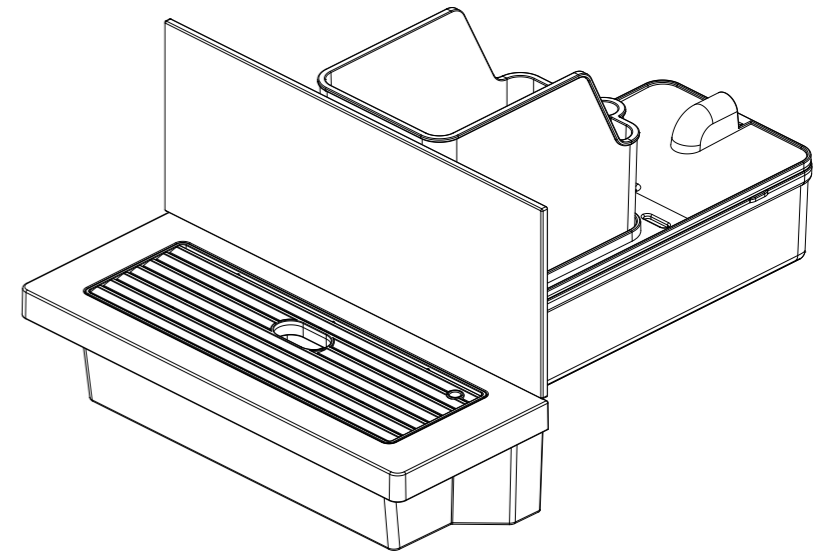
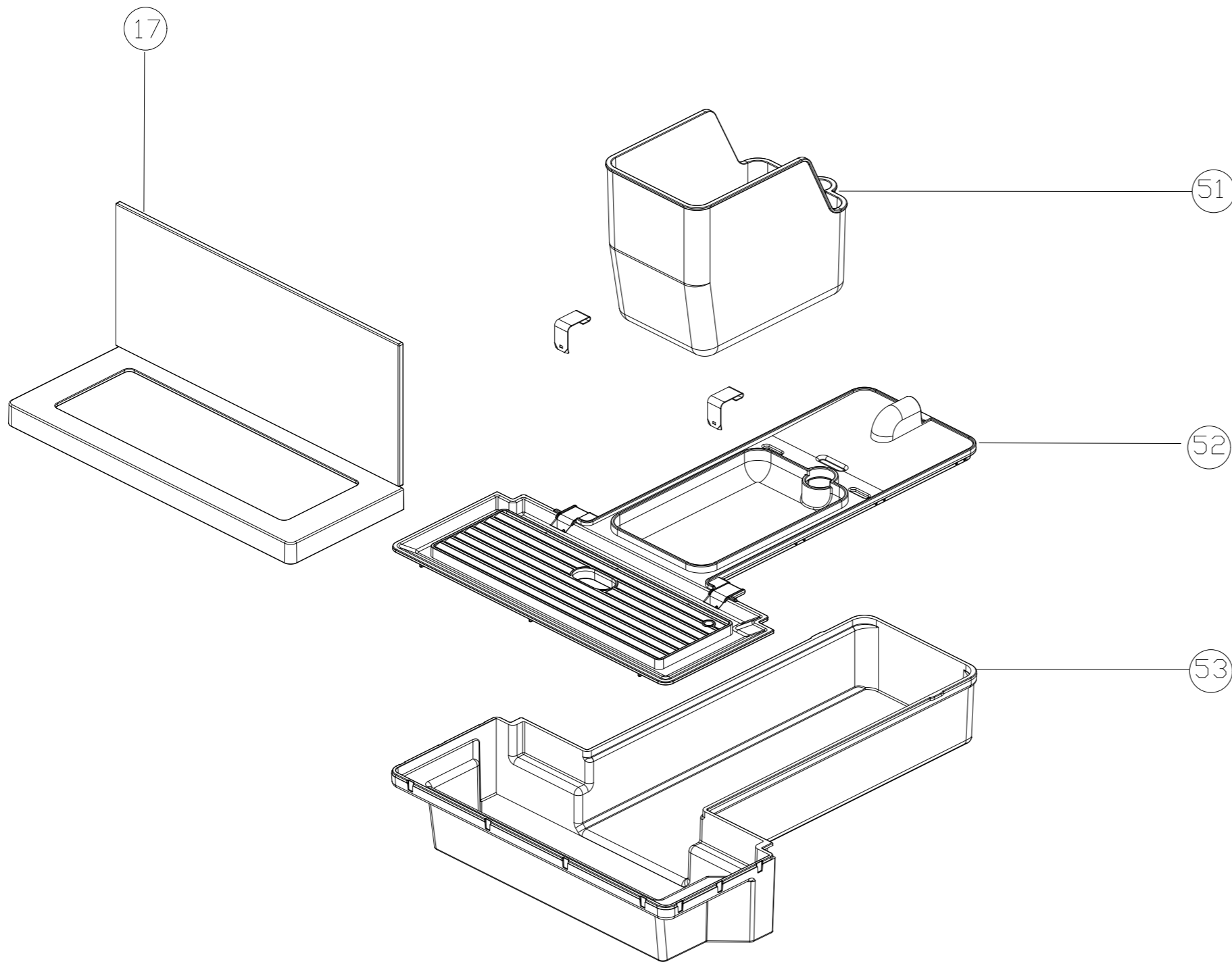
ITEM	DWG NO.	ENGLISH NAME	名称
36	9G0100044	O-ring $\phi 8.73 \times \phi 1.78$	蓄压阀密封圈
37	9G0100007	O-ring $\phi 37.69 \times \phi 3.53$	冲煮头密封圈
57	9W0600019	Coffee Filter	冲煮头过滤网- $\phi 0.22$
14	9N0100075	Brewer presser reliving valve	F11冲泡器泄压阀组
38	9G0100016	O-ring $\phi 4 \times \phi 1.6$	出水管密封圈
39	9G0100014	O-ring $\phi 3.3 \times \phi 2.0$	铜套密封圈
42	9G0200001	Y-ring $\phi 12.10 \times \phi 3.65$	泄压阀Y型密封圈
56	9W0500002	Spring clip	通用弹簧夹
40	9G0100047	O-ring $\phi 8 \times \phi 1.8$	泄水管密封圈
35	9G0100032	O-ring $\phi 5.0 \times \phi 3.0$	水箱止逆阀密封圈



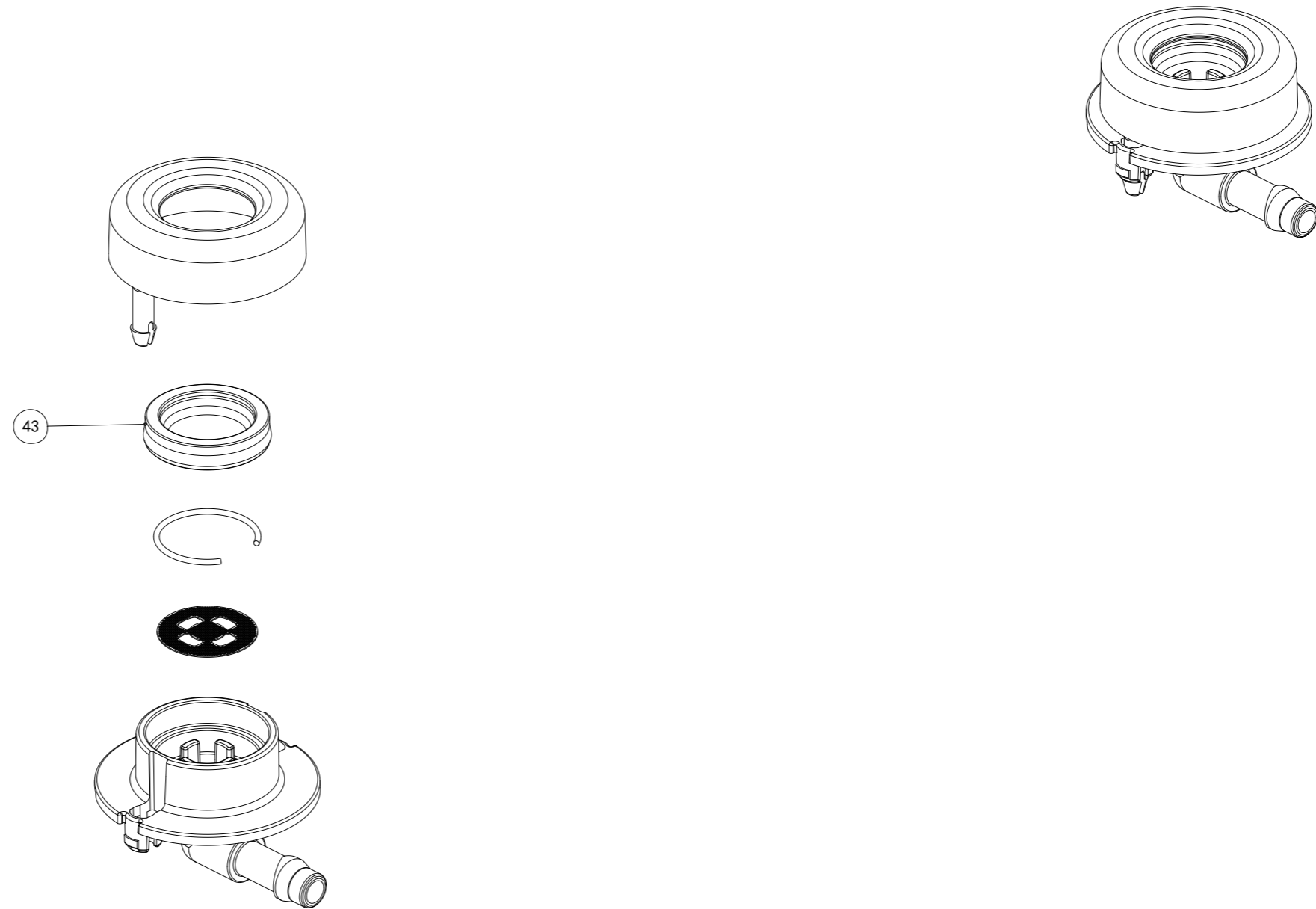
ITEM	DWG NO.	ENGLISH NAME	名称
8	9N010004	Dispenser valve 3W	蓄压阀组
24	9D0200016	Coffee fused-cord L	C11 咖啡电热盘火线
25	9D0200017	Coffee fused-cord N	C11 咖啡电热盘零线
26	9D0200018	Steam fused-cord L	C11 蒸汽电热盘火线
27	9D0200019	Steam fused-cord N	C11 蒸汽电热盘零线
33	9D0300002	Temperature Sensor	电热盘NTC
39	9G0100014	O-ring $\phi 3.3^* \phi 2.0$	铜套密封圈
46	9S0100008	I-junction	直通接头
48	9S0100035	T-junction	三通转接头
56	9W0500002	Spring Clip	通用弹簧夹



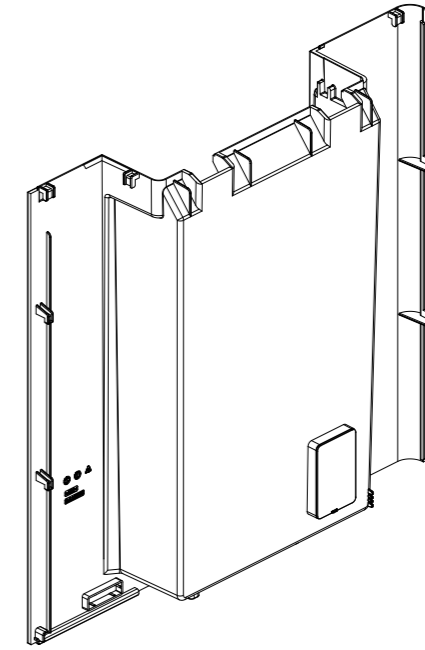
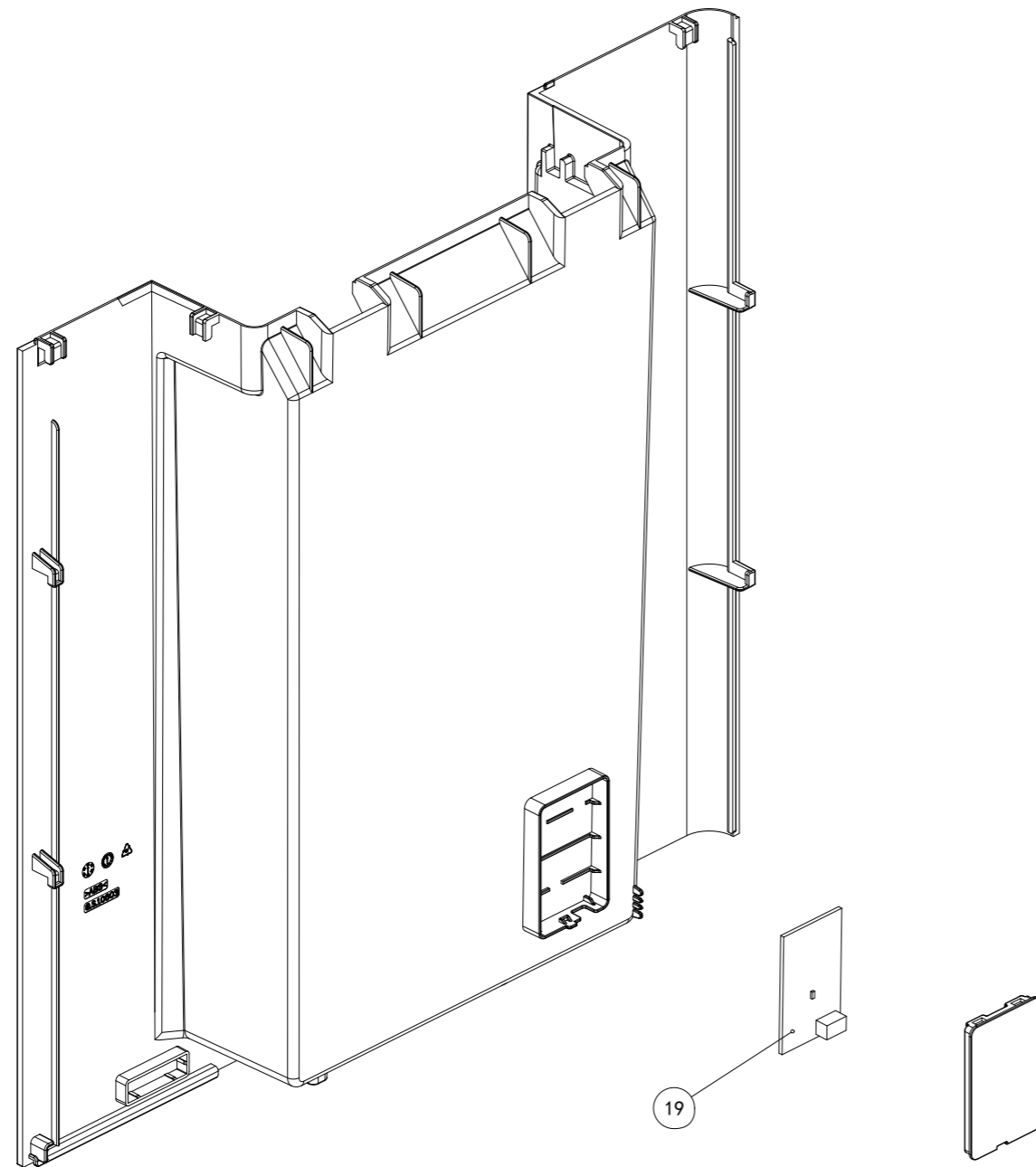
ITEM	DWG NO.	ENGLISH NAME	名称
18	9N0100007	Membrane Controller Group	稳压阀组
34	9D0300022	Water Pump	水泵
41	9G0100018	O-ring	稳压阀密封圈



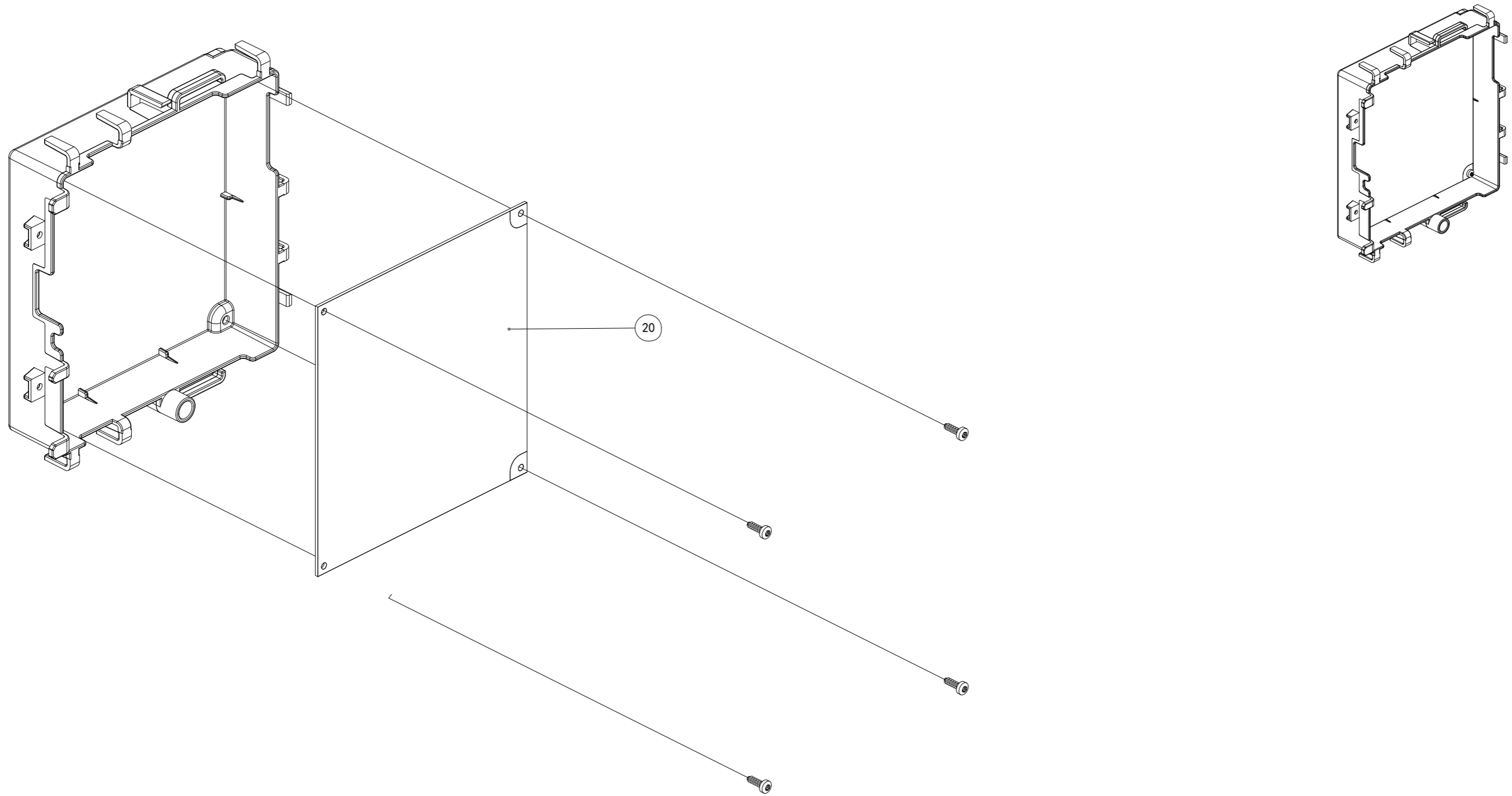
ITEM	DWG NO.	ENGLISH NAME	名称
17	9N0100175	Drip tray glass Assembly(Black)	C11蓄水盘玻璃组（黑色）
51	9S0100045	Dump Box	容渣盒
52	9S0100046	Drip Tray Cover	蓄水盘盖
53	9S0100062	Drip Tray	C12蓄水盘



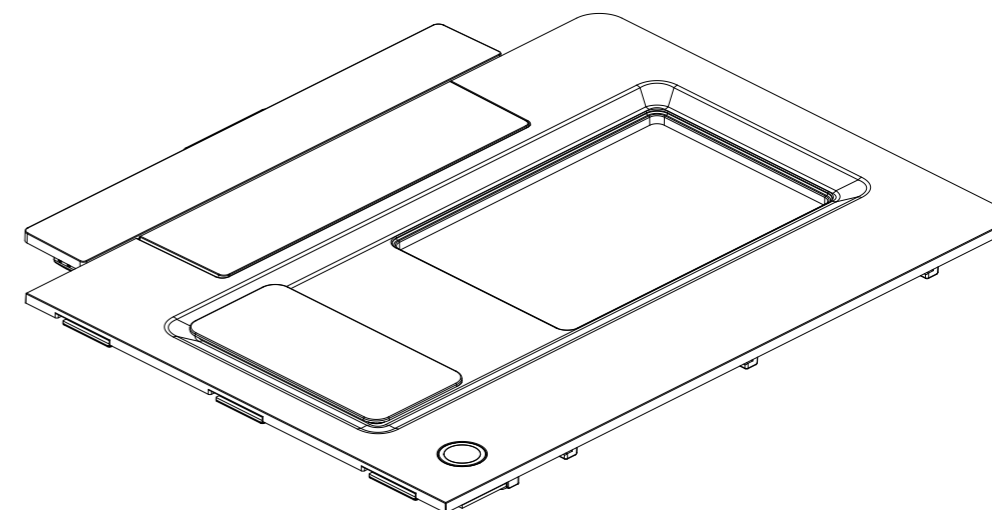
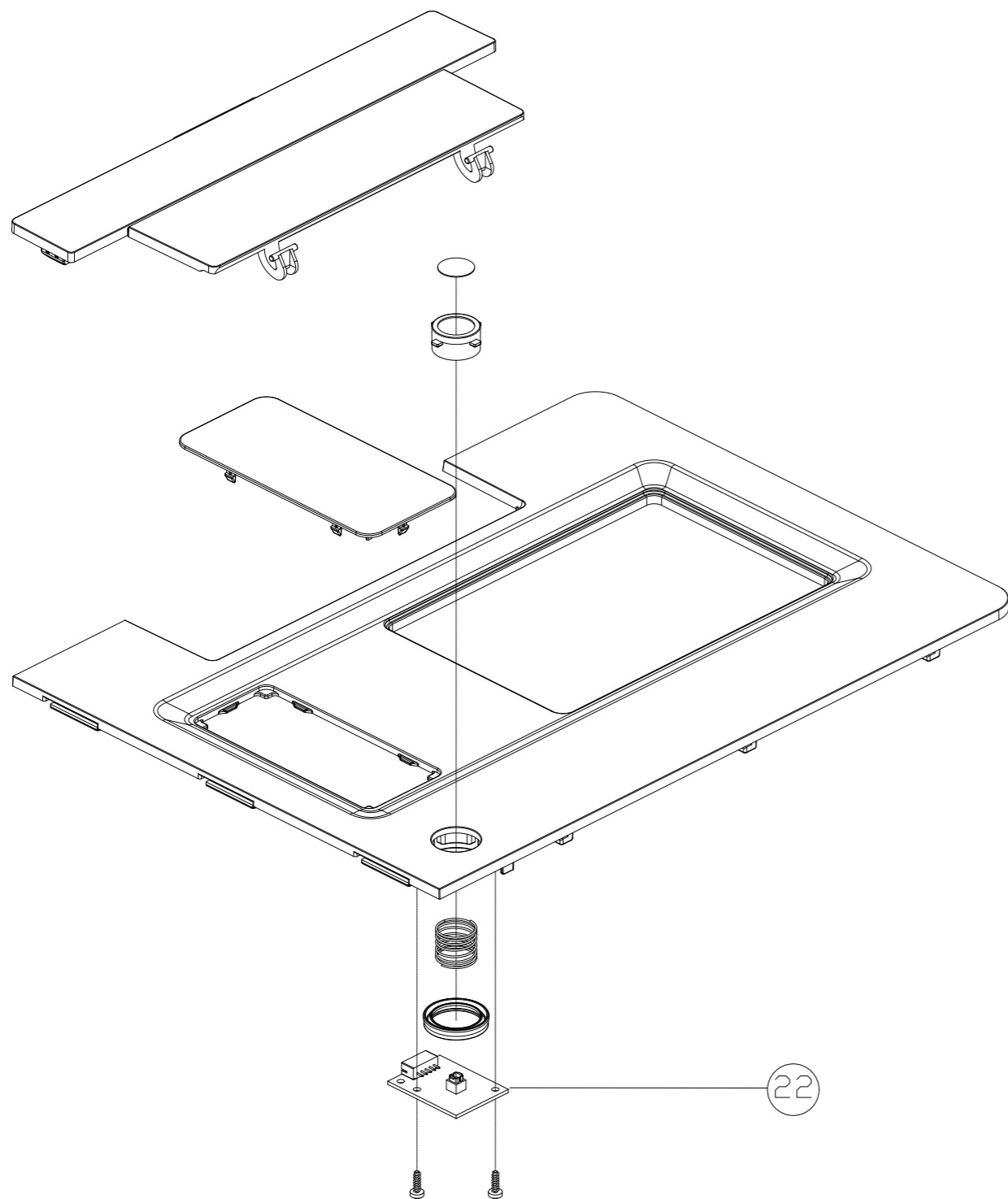
ITEM	DWG NO.	ENGLISH NAME	名称
43	9G0200003	Y-ring $\phi 22.67 * \phi 13.90$	导水座Y型密封圈



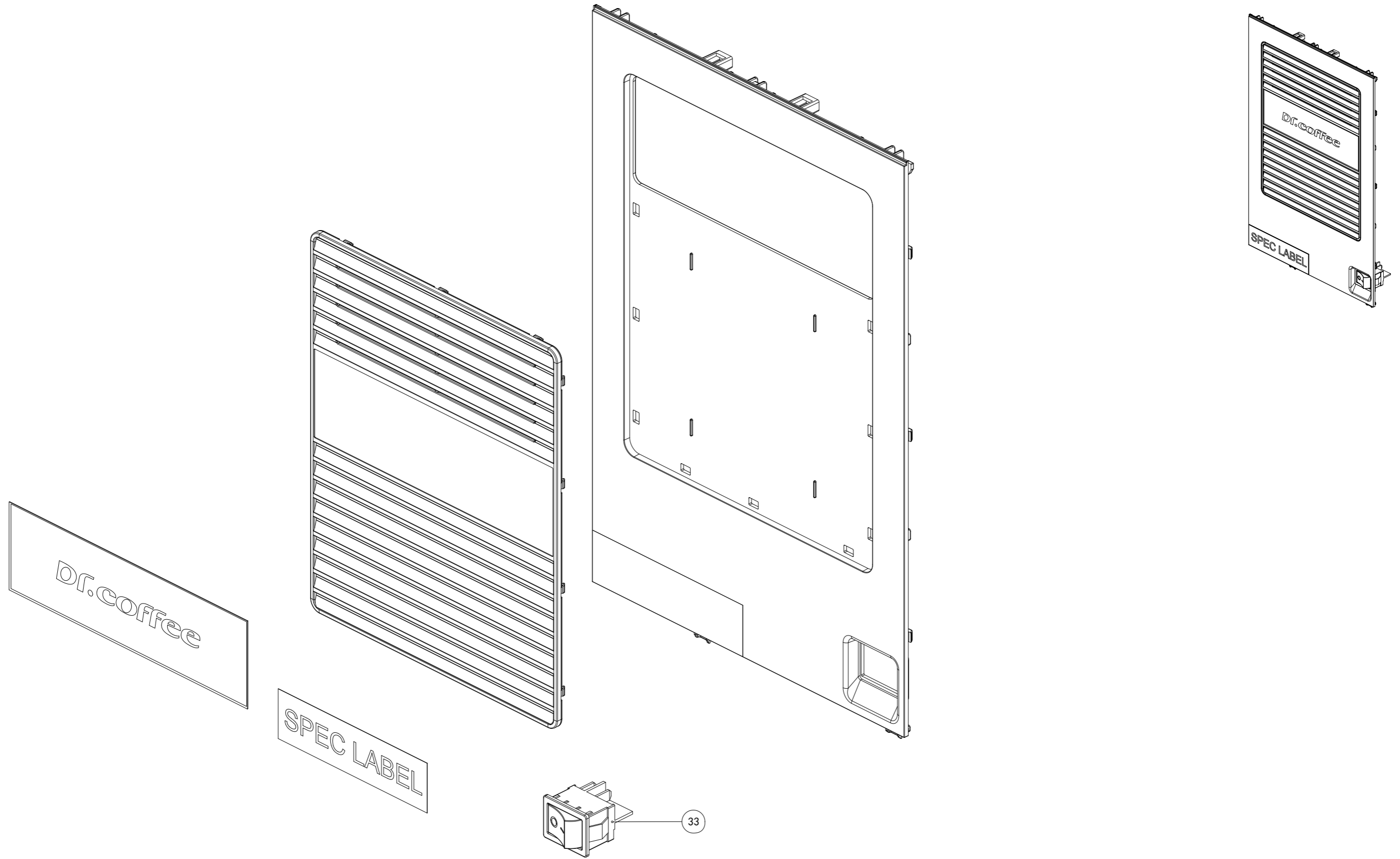
ITEM	DWG NO.	ENGLISH NAME	名称
19	9D0100011	Water level PCB	水位检测PCB



ITEM	DWG NO.	ENGLISH NAME	名称
20	9D0100023	C11 Main Control Board	C11 主控板



ITEM	DWG NO.	ENGLISH NAME	名称
22	9D0100026	Power Key Board	电源开关小板



ITEM	DWG NO.	ENGLISH NAME	名称
32	9D0300019	Rocker Switch	CCC翘板开关16A