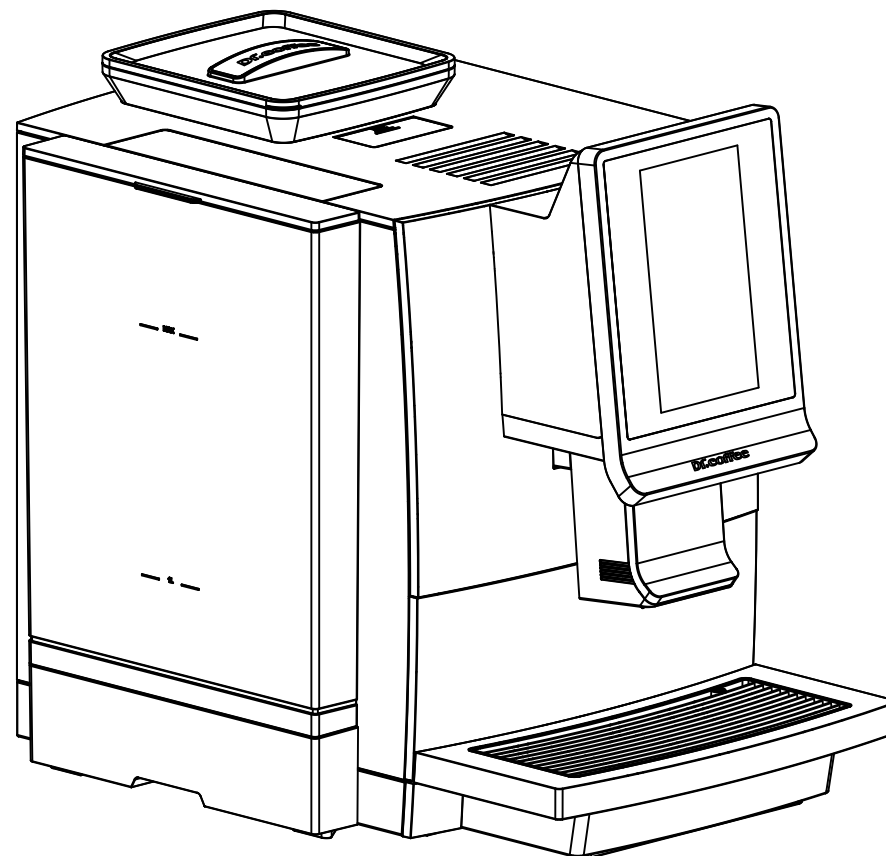


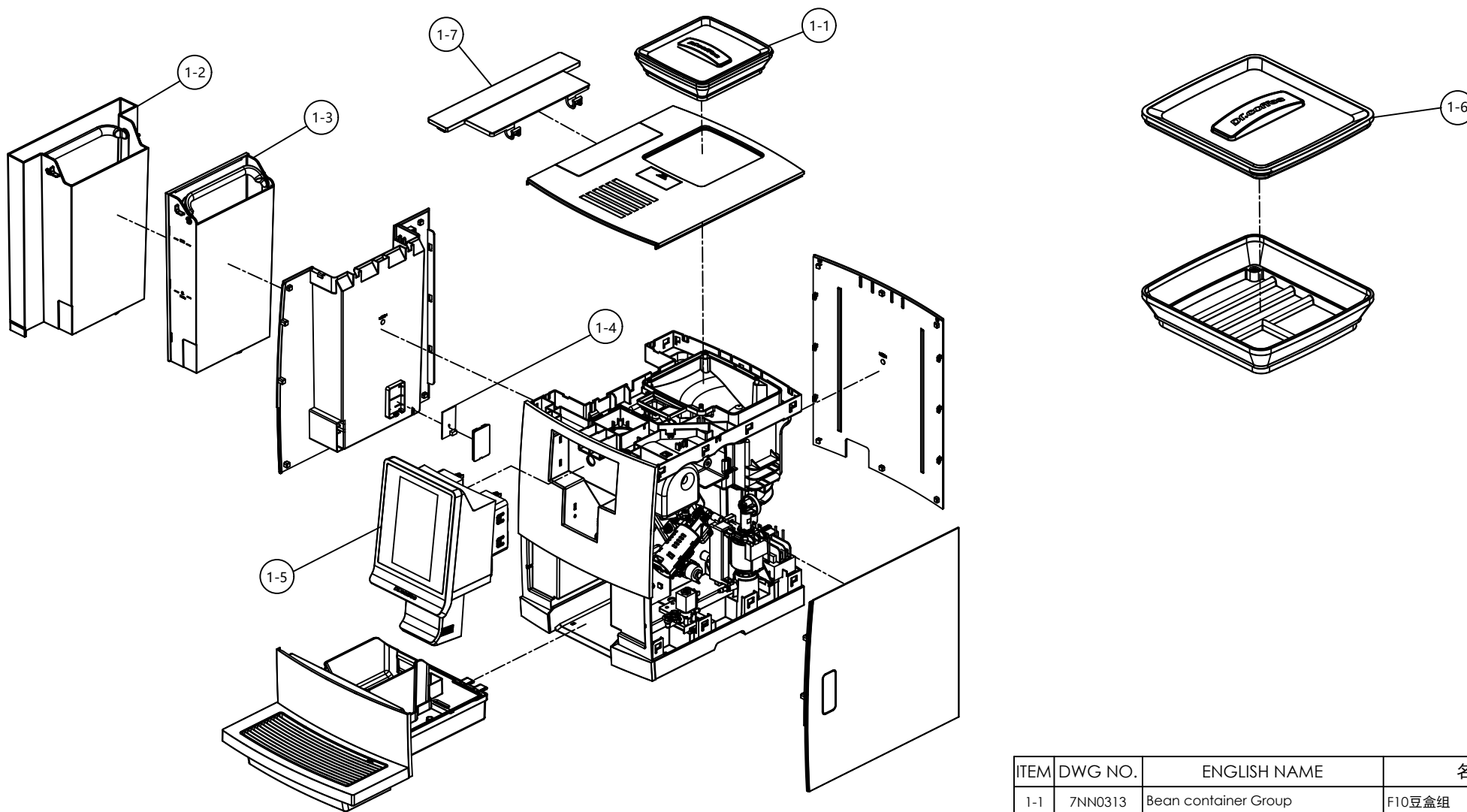
F08/H08 Explosive view

ISSUE: 03

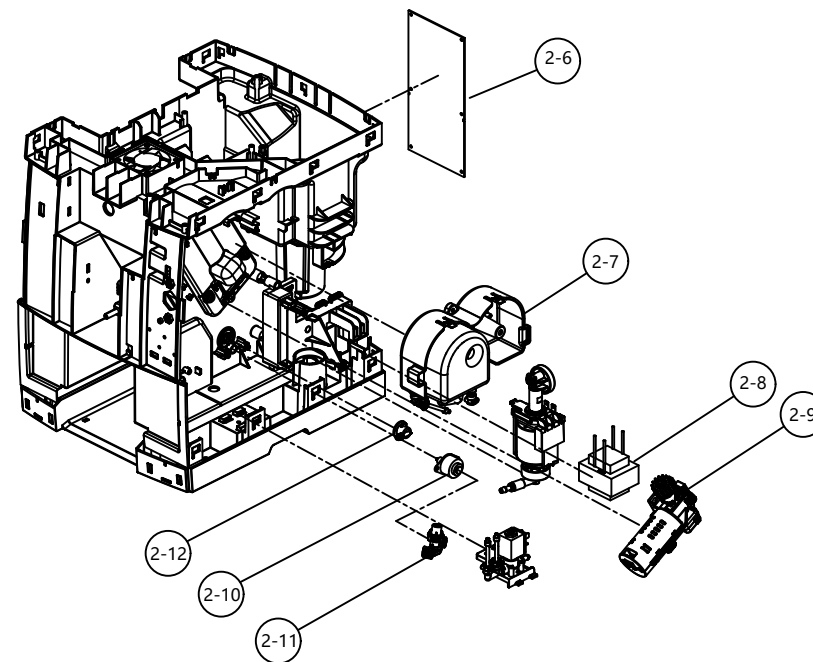
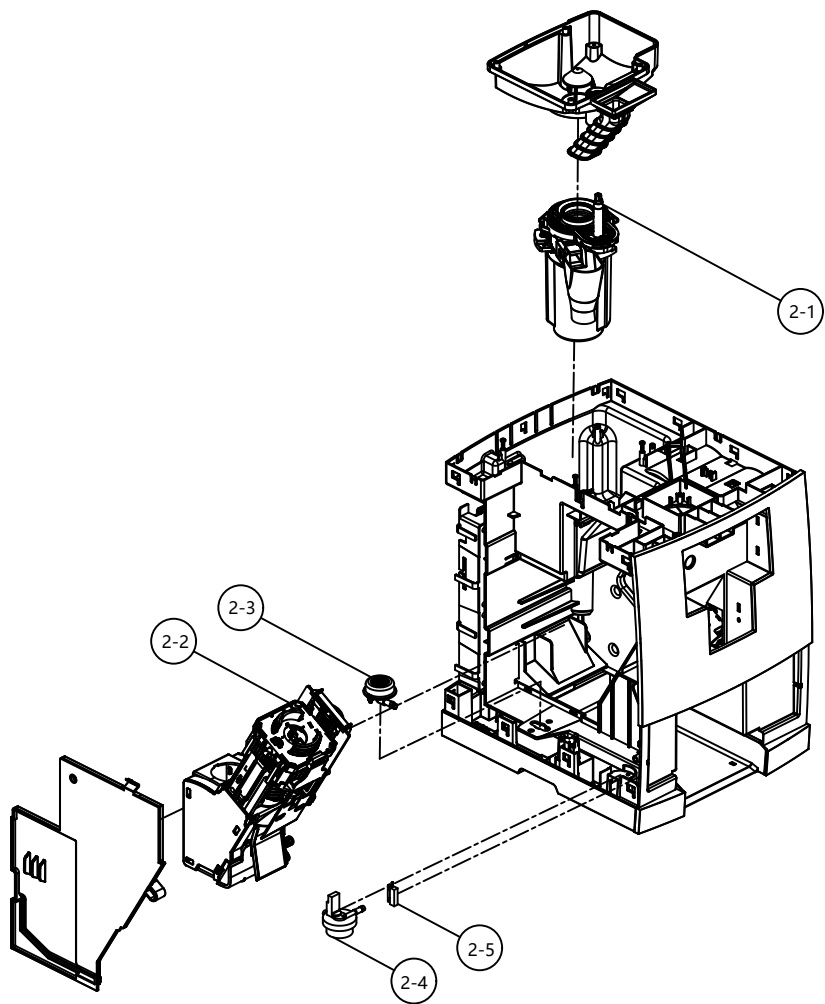


Content

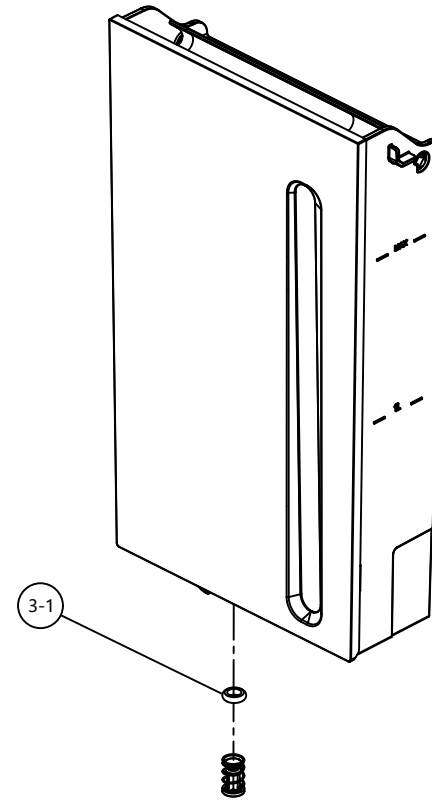
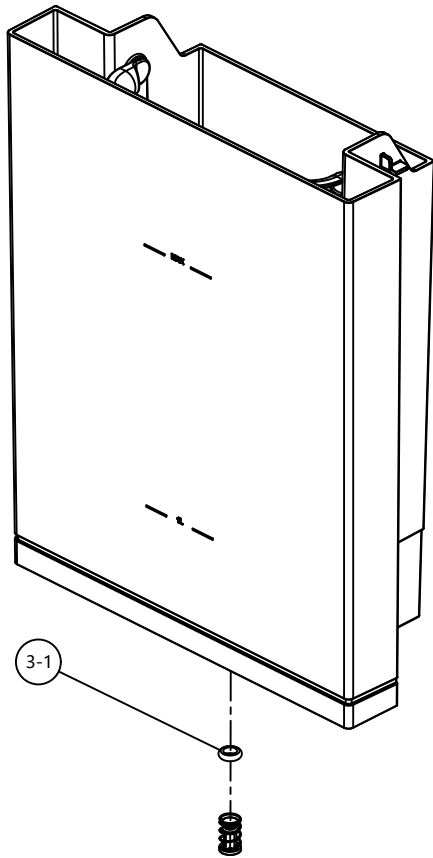
Appearance group.....	.01
Body holder.....	.02
Water tank group.....	.03
Front pannel assembly.....	.04
Drip tray group.....	.05
Brew group.....	.06
Thermoblock assembly.....	.07
Pump group.....	.08
Ginder group.....	.09
Water inlet valve group.....	.10
Solenoid valve group.....	.11
Parts group.....	.12



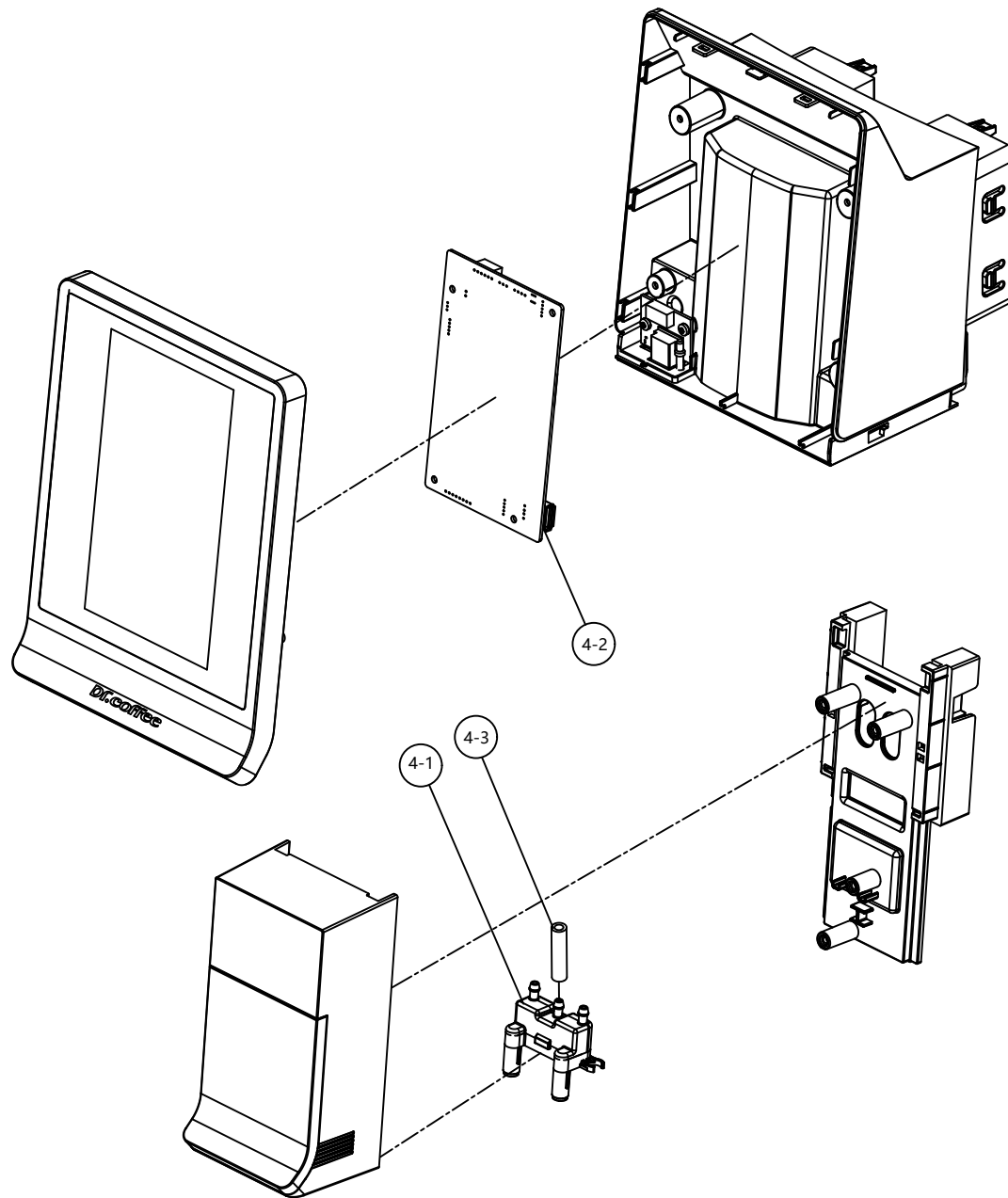
ITEM	DWG NO.	ENGLISH NAME	名称
1-1	7NN0313	Bean container Group	F10豆盒组
1-2	7NN0319	Big water tank group(F08)	F10大水箱组(F08)
1-3	7NN0017	Small water tank group(H08)	F11小水箱组(H08)
1-4	8D10027BA	Water level detection PCBA	水位检测PCB
1-5	7NN0322	Front pannel assembly	F08前面板组
1-6	7NN0121	Bean container cover	F11豆盒盖组
1-7	8S10528	Large tank cover	F10大水箱盖



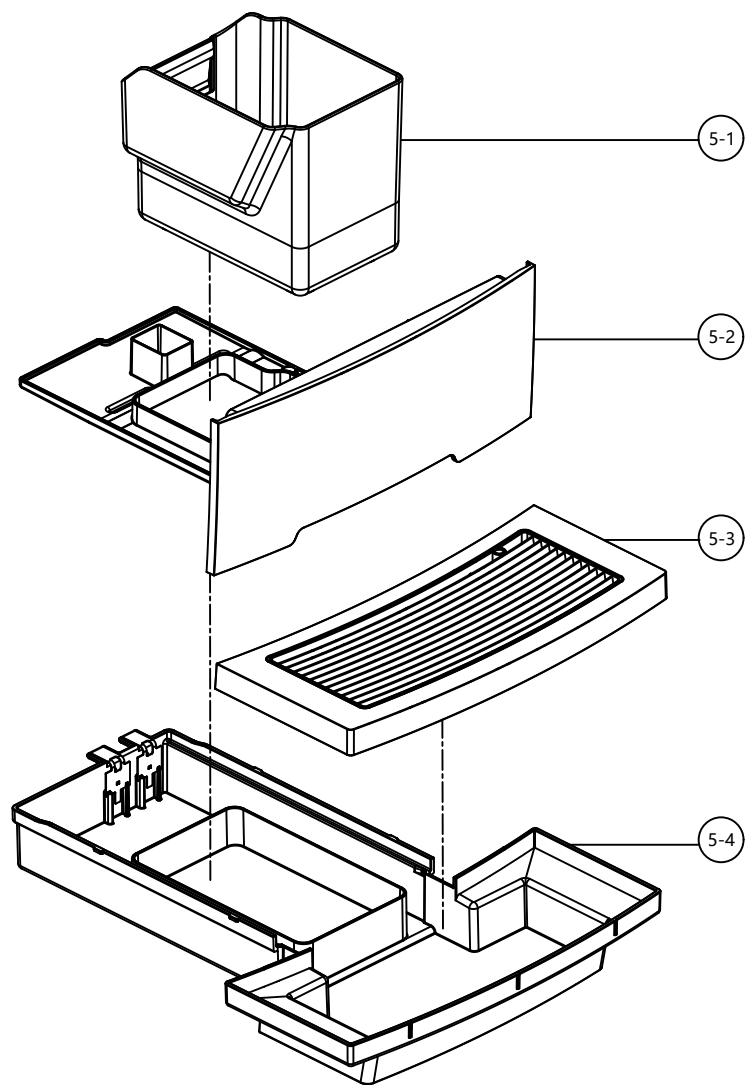
ITEM	DWG NO.	ENGLISH NAME	名称
2-1	7NN0112	Grinder group	F09磨豆组
2-2	7NN0103	Brew group	F09冲泡器组
2-3	7NN0014	Water inlet valve group	F11导水座组
2-4	8D30017	Flowmeter270° (1.2mm)	流量计270度 (1.2mm)
2-5	8D30193	Reed switch	干簧管
2-6	8D10042R1	Main PCBA	F08主板
2-7	7NN0320	Thermoblock assembly	F08电热盘组
2-8	8D30016	Transformer	F11变压器
2-9	7NN0115	Brew motor group	F11传动组
2-10	8D30014	Stepmotor	泄压步进电机
2-11	7NN0009	Dispenser valve 3W	蓄压阀组
2-12	8S10141	Water transfer nozzle	入水接管



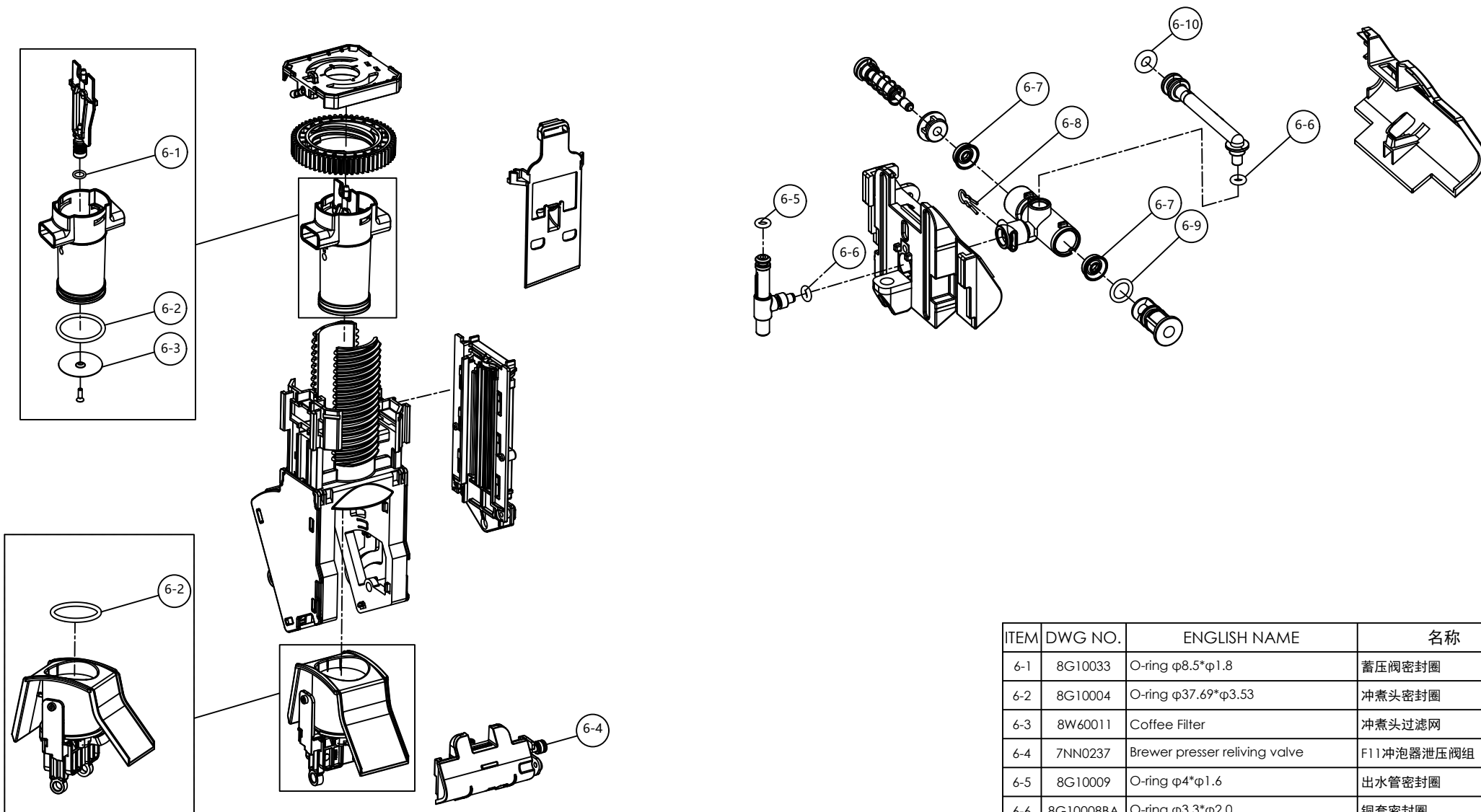
ITEM	DWG NO.	ENGLISH NAME	名称
3-1	8G10021	O-ring $\phi 5.0 \times \phi 3.75$	大小水箱止逆阀密封圈



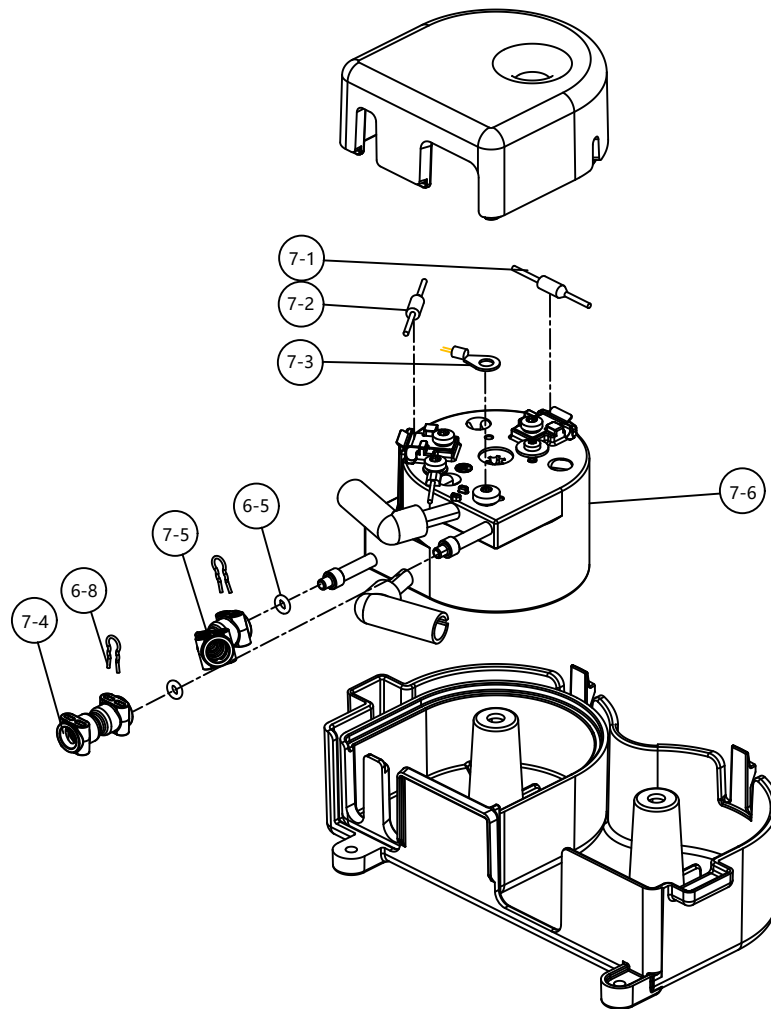
ITEM	DWG NO.	ENGLISH NAME	名称
4-1	8S10333	Coffee outlet	咖啡出口
4-2	8D10040	HMI PCBA	F10HMI板
4-3	8G30001	3*6 Silicone Tube	3*6硅胶管



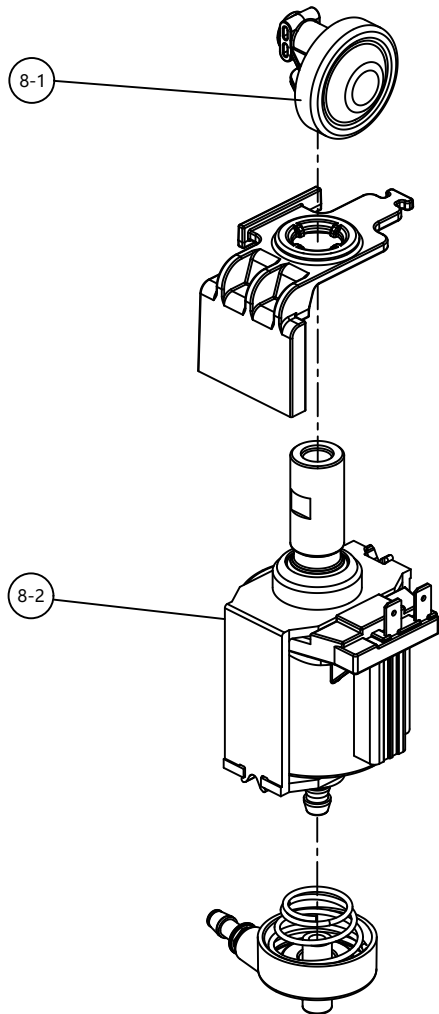
ITEM	DWG NO.	ENGLISH NAME	名称
5-1	7NN0368	Coffee grounds container	F10废渣盒
5-2	7NN0540	Coffee grounds container support(silver)	F11废渣盒支撑板(银色)
	7NN0547	Coffee grounds container support(black)	F11废渣盒支撑板(黑色)
	7NN0548	Coffee grounds container support(white)	F11废渣盒支撑板(白色)
	7NN0549	Coffee grounds container support(wine red)	F11废渣盒支撑板(酒红色)
	7NN0550	Coffee grounds container support(orange)	OCS废渣盒支撑板(橙黄色)
	7NN0551	Coffee grounds container support(milky white)	OCS废渣盒支撑板(奶白色)
	7NN0552	Coffee grounds container support(ice blue)	OCS废渣盒支撑板(冰蓝色)
5-3	7NN0124	Drip tray grill assembly	F11蓄水盘盖组
5-4	7NN0543	Drip tray	F10蓄水盘



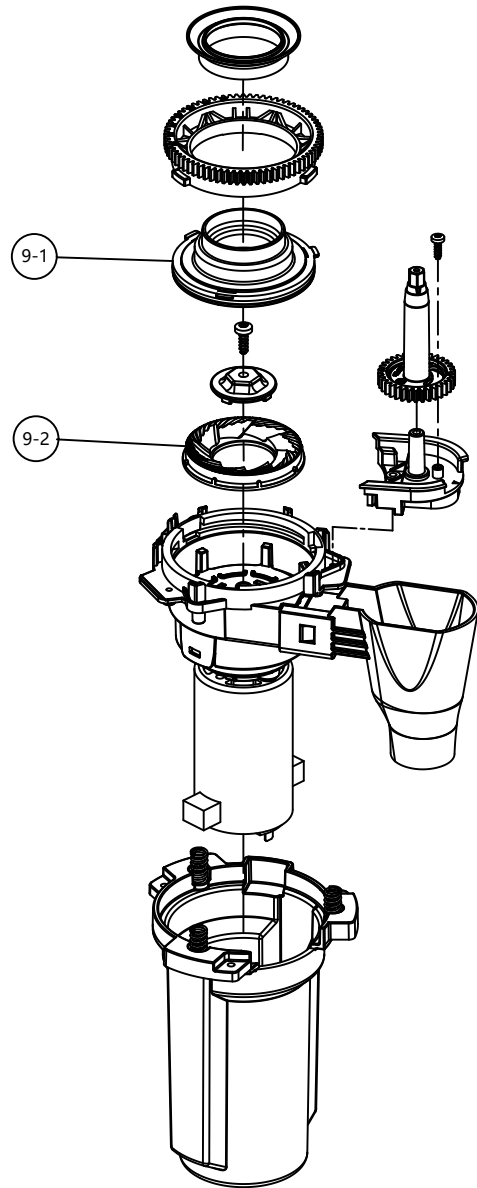
ITEM	DWG NO.	ENGLISH NAME	名称
6-1	8G10033	O-ring $\phi 8.5 \times \phi 1.8$	蓄压阀密封圈
6-2	8G10004	O-ring $\phi 37.69 \times \phi 3.53$	冲煮头密封圈
6-3	8W60011	Coffee Filter	冲煮头过滤网
6-4	7NN0237	Brewer presser relieving valve	F11冲泡器泄压阀组
6-5	8G10009	O-ring $\phi 4 \times \phi 1.6$	出水管密封圈
6-6	8G10008BA	O-ring $\phi 3.3 \times \phi 2.0$	铜套密封圈
6-7	8G20007	Y-ring $\phi 12.20 \times \phi 3.65$	泄压阀Y型密封圈
6-8	8W50023	Spring clip	通用弹簧夹
6-9	8G10037	O-ring $\phi 8 \times \phi 1.8$	泄水管密封圈
6-10	8G10001	O-ring $\phi 5.0 \times \phi 3.0$	水箱止逆阀密封圈



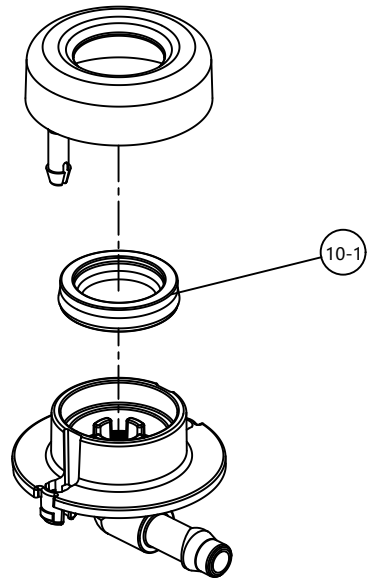
ITEM	DWG NO.	ENGLISH NAME	名称
7-1	8D20237	Coffee fused-cord-L	咖啡电热盘火线
7-2	8D20238	Coffee fused-cord-N	咖啡电热盘零线
7-3	8D30004	Temperature Sensor	电热盘NTC
7-4	8S10058	Fitting	直通接头
6-8	8W50023	Spring clip	通用弹簧夹
6-5	8G10008	O-ring $\phi 3.3 * \phi 2.0$	铜套密封圈
7-5	8S10428	Fitting	120度两通接头
7-6	8D30003	electric hot tray	电热盘



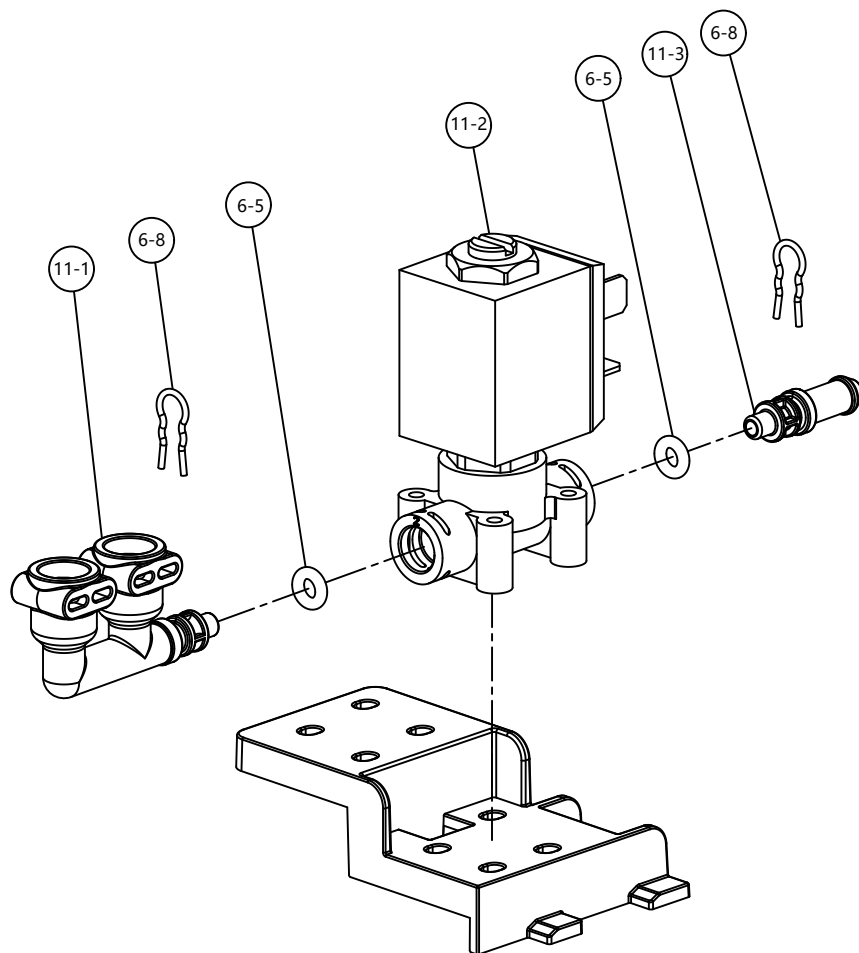
ITEM	DWG NO.	ENGLISH NAME	名称
8-1	7NN0012	Membrane controller group	稳压阀组
8-2	8D30051	Pump (220-240V 50Hz)	水泵 (220-240V 50Hz)
	8D30052	Pump (220-240V 60Hz)	水泵 (220-240V 60Hz)



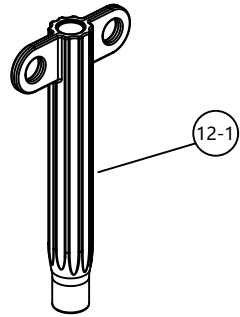
ITEM	DWG NO.	ENGLISH NAME	名称
9-1	7NN0119	Upper grinder burr assembly	上刀盘组
9-2	8T10003R2	Grinder burr	磨豆刀



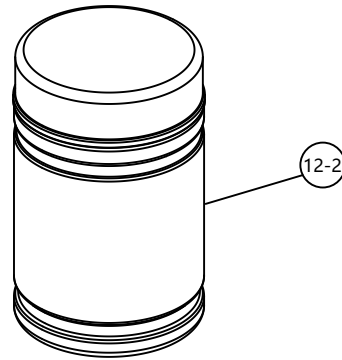
ITEM	DWG NO.	ENGLISH NAME	名称
10-1	8G20014	Y-ring $\phi 22.67 * \phi 13.90$	导水座Y型密封圈



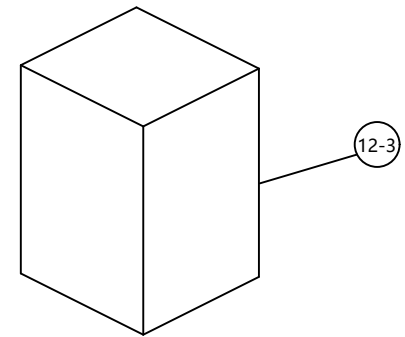
ITEM	DWG NO.	ENGLISH NAME	名称
11-1	8S10059	Fitting	F型接头
6-8	8W50023	Spring clip	通用弹簧夹
6-5	8G10008	O-ring $\phi 3.3 \times \phi 2.0$	铜套密封圈
11-2	8D30021R1	Solenoid valve 2W	两通电磁阀
11-3	8S10350	Hose connector(5*9)	软管接头 (5*9)



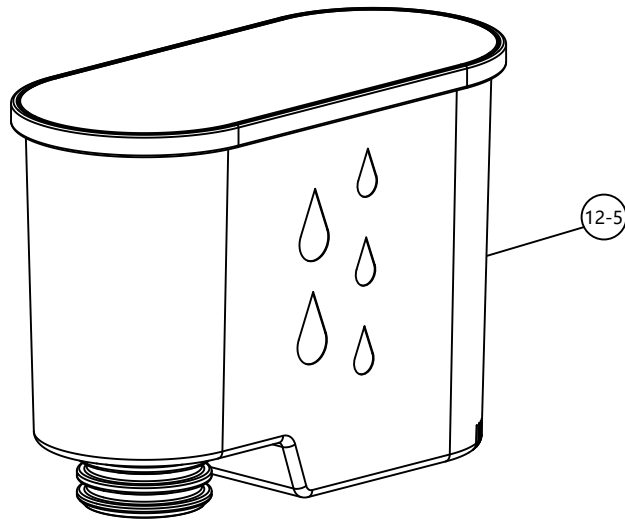
12-1



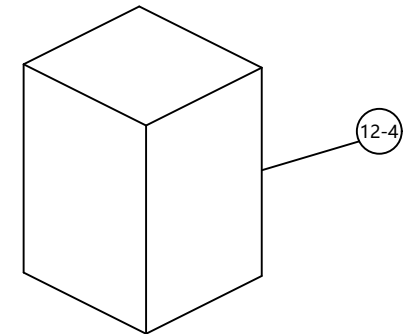
12-2



12-3



12-5



12-4

ITEM	DWG NO.	ENGLISH NAME	名称
12-1	8S10432	Grinder adjust knob	磨豆调节柄
12-2	8H10014	Espresso Machine Cleaning Tablets	咖啡机专用清洁片
12-3	8H10016	Descaling Powder For Coffee Machines	咖啡机专用除垢粉
12-4	8H10017	Descaling Powder For Coffee Machines	咖啡机专用除垢粉
12-5	8S20021	Filter	滤芯