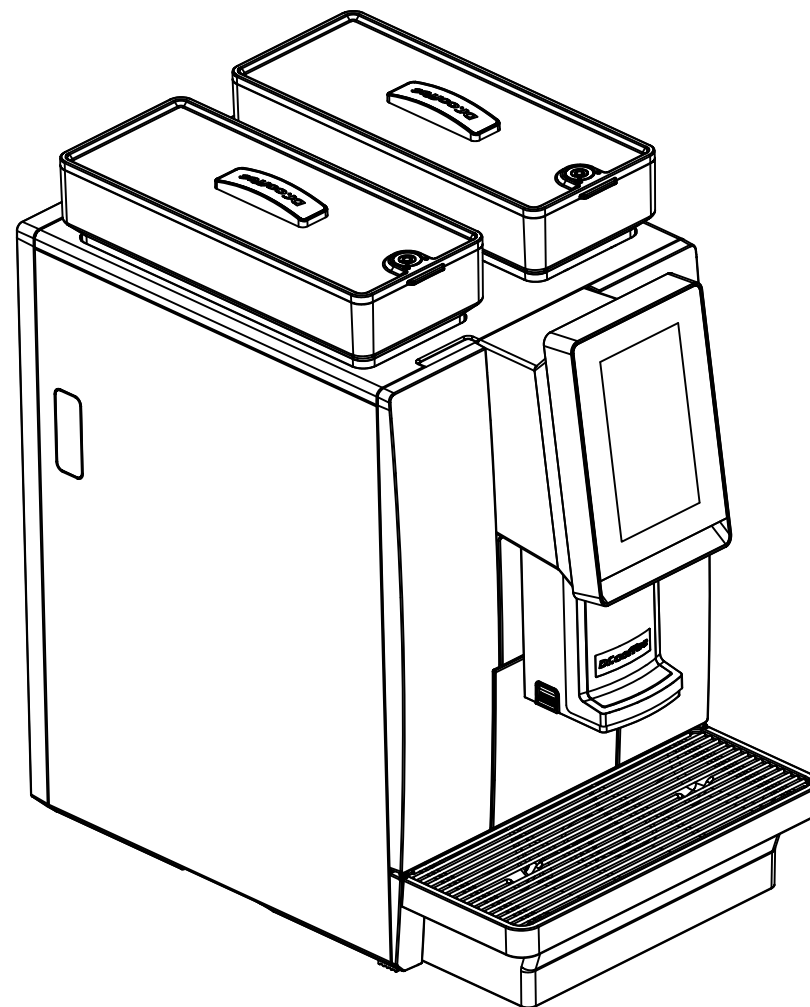


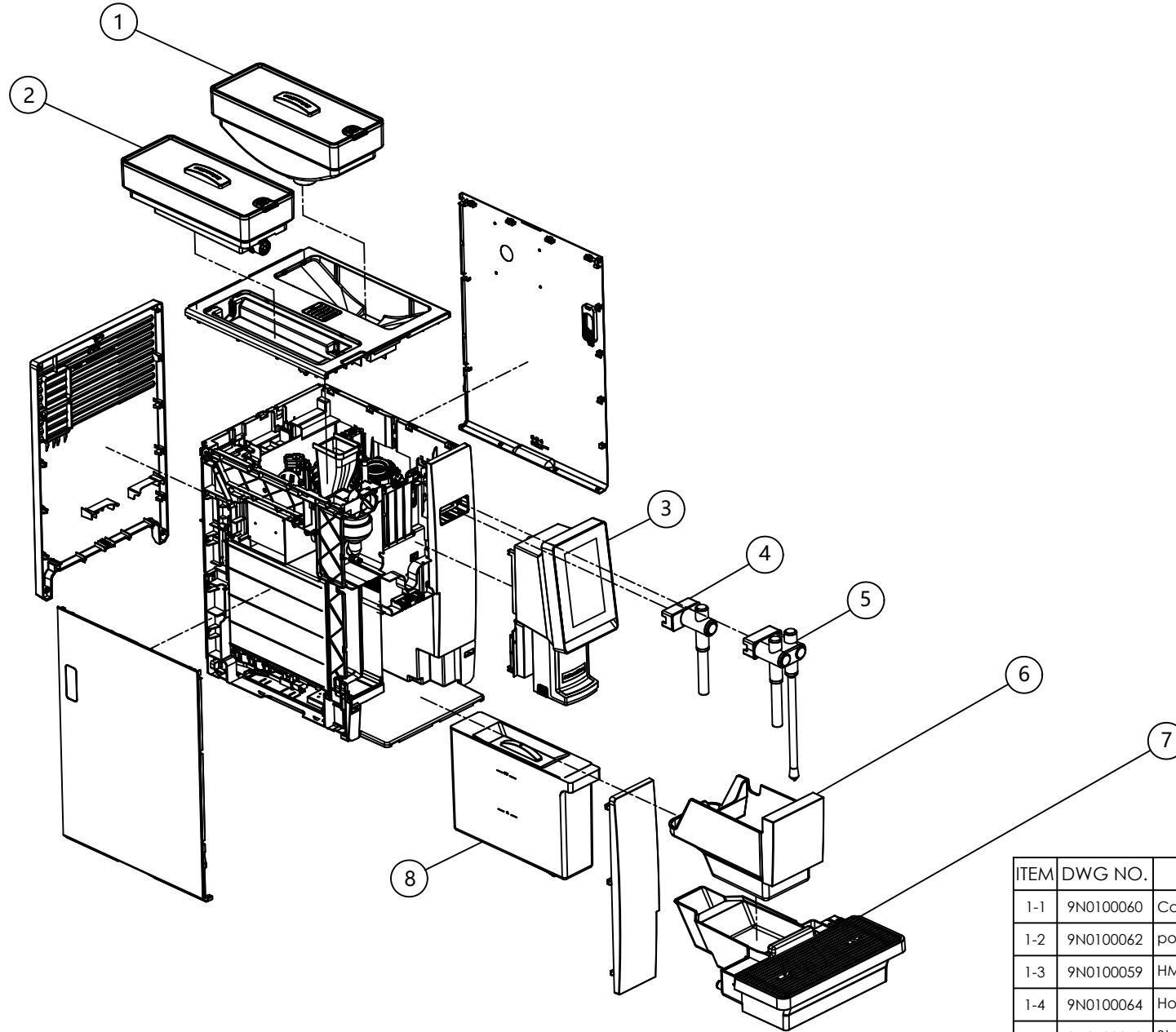
Minibar Explosive view

ISSUE: 04

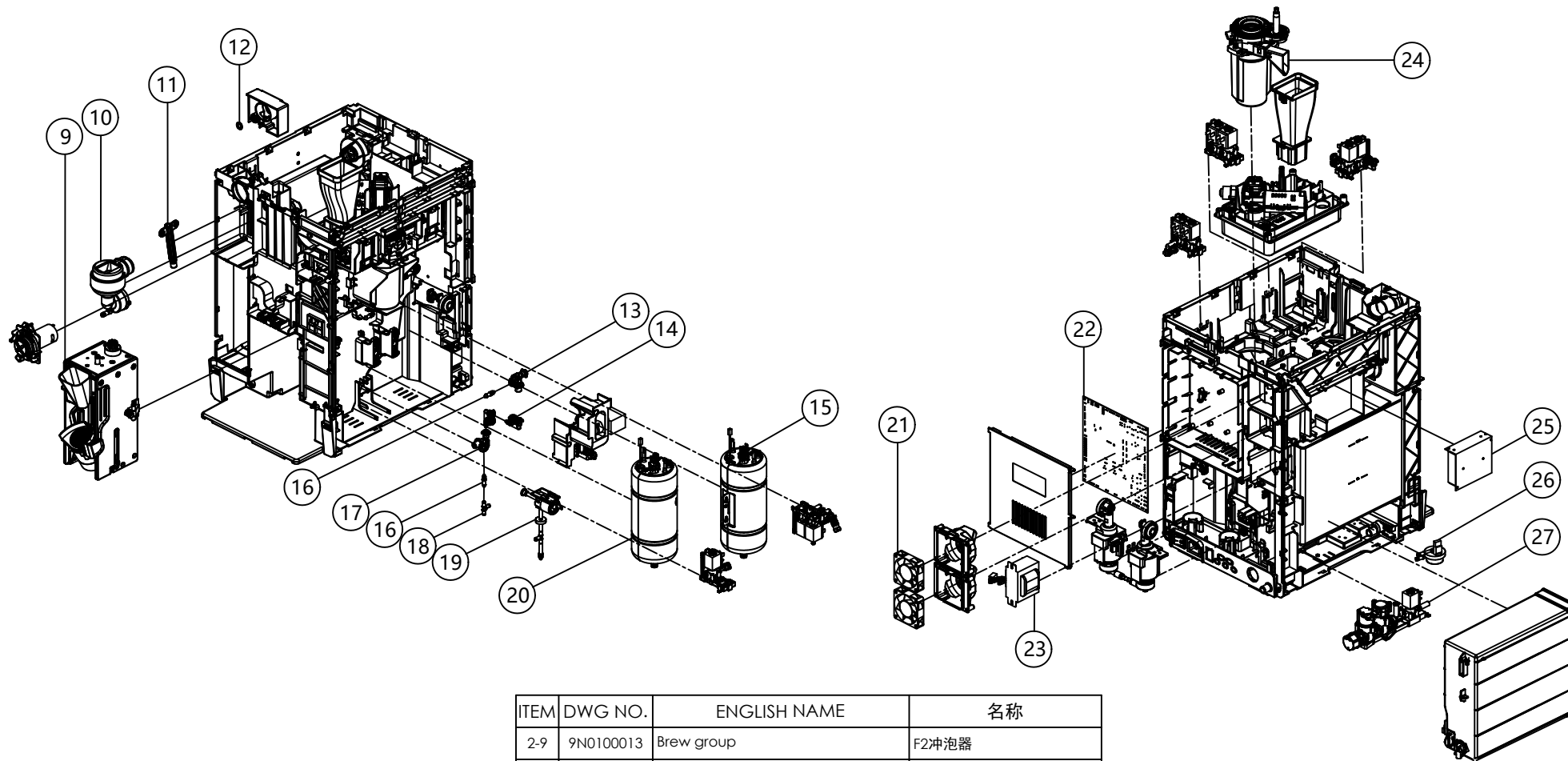


Content

Appearance group.....	01
Body holder.....	02
Coffee bean&powder box.....	03
Water tank group.....	04
Water tank shell group.....	05
HMI assembly.....	06
Guide rail assembly.....	07
Drip tray.....	08
Brew group.....	09
Boiler group.....	10
Pump group.....	11
Ginder group.....	12
Driving and fixing frame set of foam starter.....	13
Solenoid valve group.....	14
Solenoid valve group.....	15
Solenoid valve group.....	16
Pinch valve group.....	17
Blender motor group.....	18

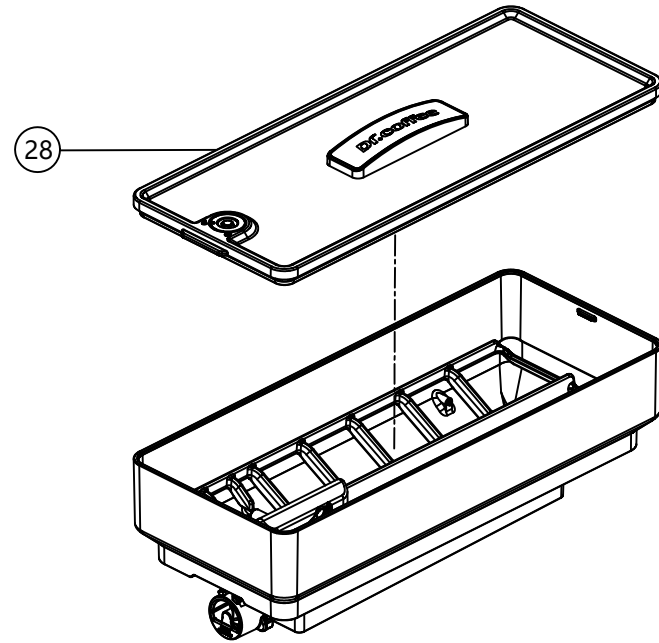
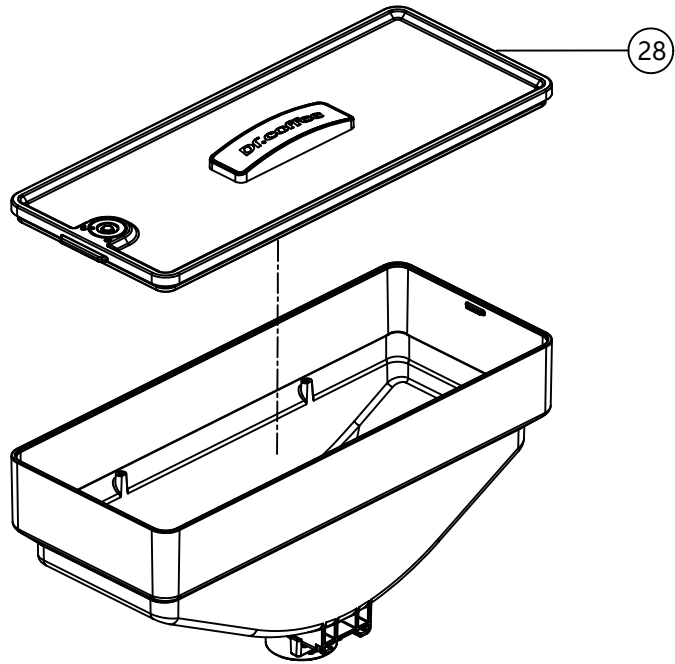


ITEM	DWG NO.	ENGLISH NAME	名称
1-1	9N0100060	Coffee bean box	Minibar豆盒组
1-2	9N0100062	powder box	Minibar粉盒组
1-3	9N0100059	HMI assembly	Minibar HMI显示面板组
1-4	9N0100064	Hot water wand group	Minibar单热水杆组
1-5	9N0100063	Steam&hot water wand group	Minibar蒸汽热水杆组
1-6	9N0100067	Bean container Group	Minibar渣盒组
1-7	9N0100066	Drip tray	Minibar蓄水盘组
1-8	9N0100018	Water tank	F2水箱组

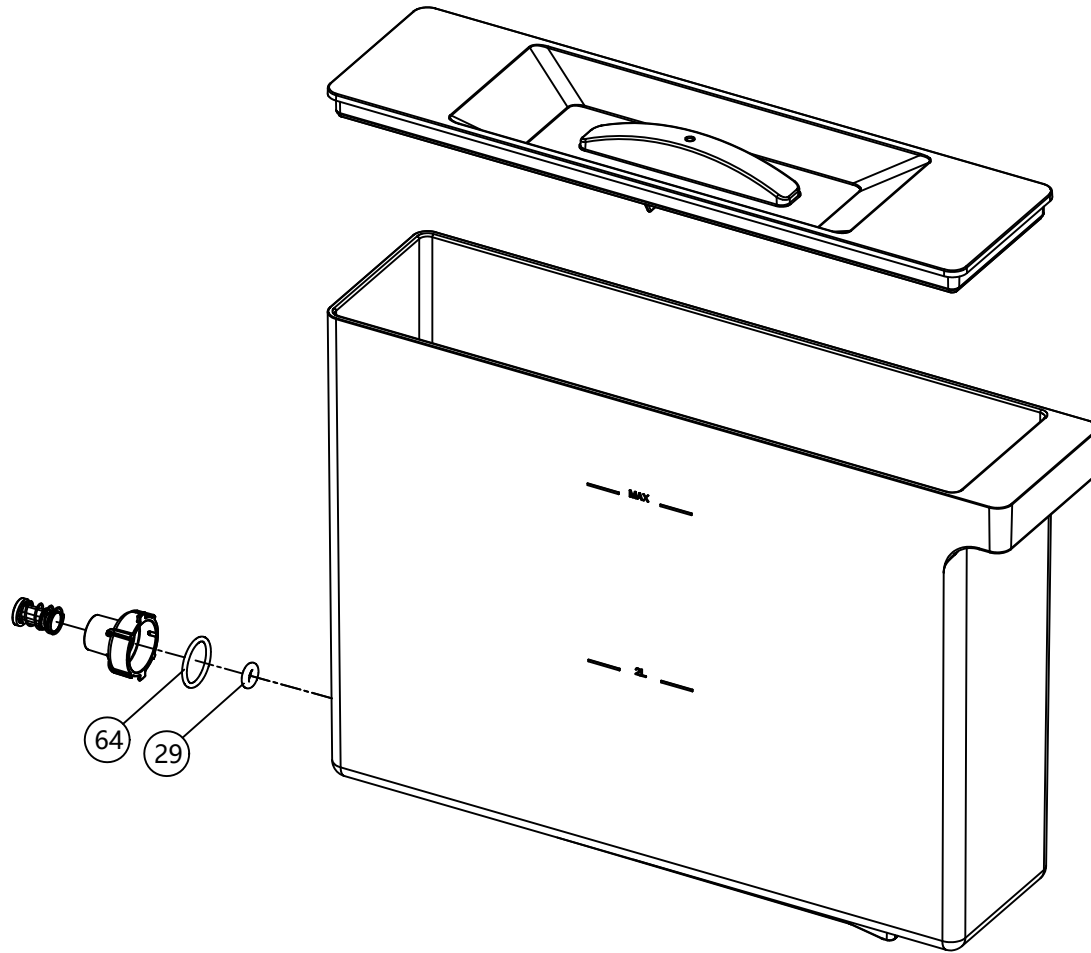


ITEM	DWG NO.	ENGLISH NAME	名称
2-9	9N0100013	Brew group	F2冲泡器
2-10	9N0100026	Blender chamber group	F2 plus 搅拌室组
2-11	9S0100030	Grinder adjust knob	磨豆调节柄
2-12	9G0100030	O-ring $\phi 9.5 \times \phi 2.65$	F2搅拌机进水密封圈
2-13	9N0100057	Dispenser valve 5W	两通蓄压阀组-5bar
2-14	9S0100009	Fitting	F型接头
2-15	9N0100454	Hot water boiler group	Minibar热水锅炉组
2-16	9S0100024	Hose connector(5*9)	软管接头 (5*9)
2-17	9N0100058	Dispenser valve 15W	两通蓄压阀组-15bar
2-18	9S0100020	3 way hose connector	三通软管接头9mm
2-19	9N0100081	Air inlet valve	Minibar气阀组
2-20	9N0100453	Steam boiler group	Minibar蒸汽锅炉组

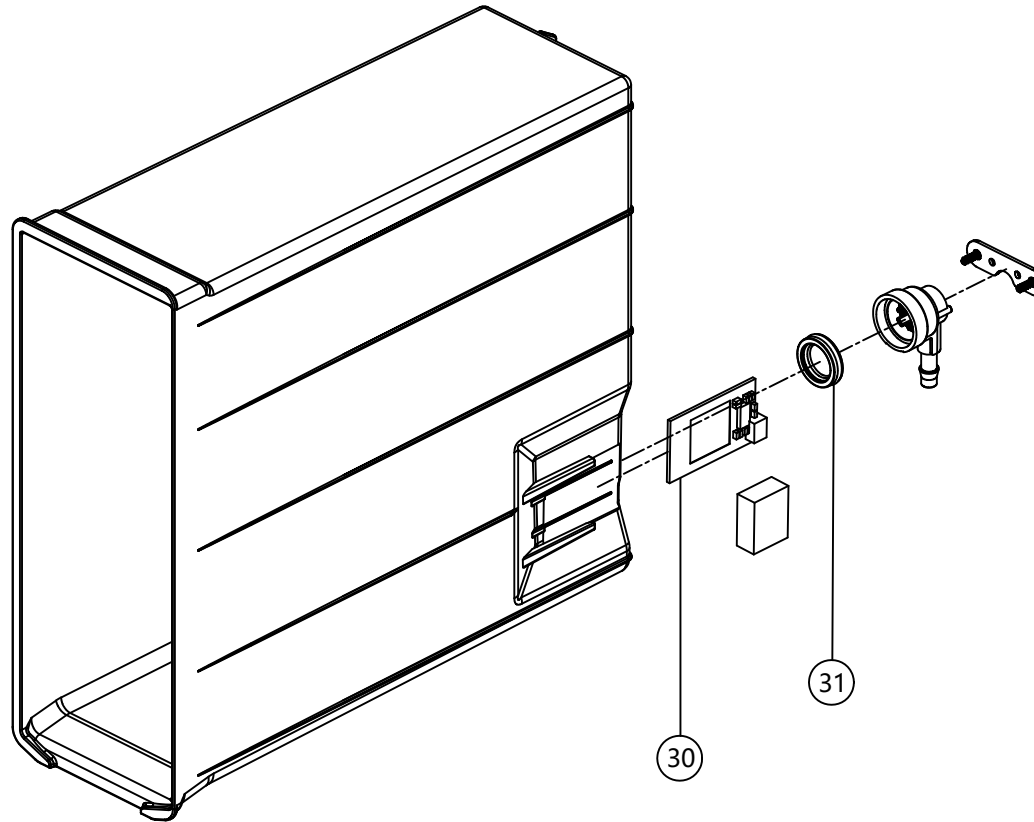
ITEM	DWG NO.	ENGLISH NAME	名称
2-21	9D0300047	Fan	风扇
2-22	9D0100009	Control PCBA	F2主控板
2-23	9D0300018	Transformer	变压器
2-24	9N0100056	Grinder group	Minibar磨豆组
2-25	9D0300033	Switching power supply	明纬开关电源50W
2-26	9D0300027	Flowmeter 0° (2.0mm)	流量计0度 (2.0mm)
2-27	9N0100082	Water inlet assembly	Minibar自动进水阀组



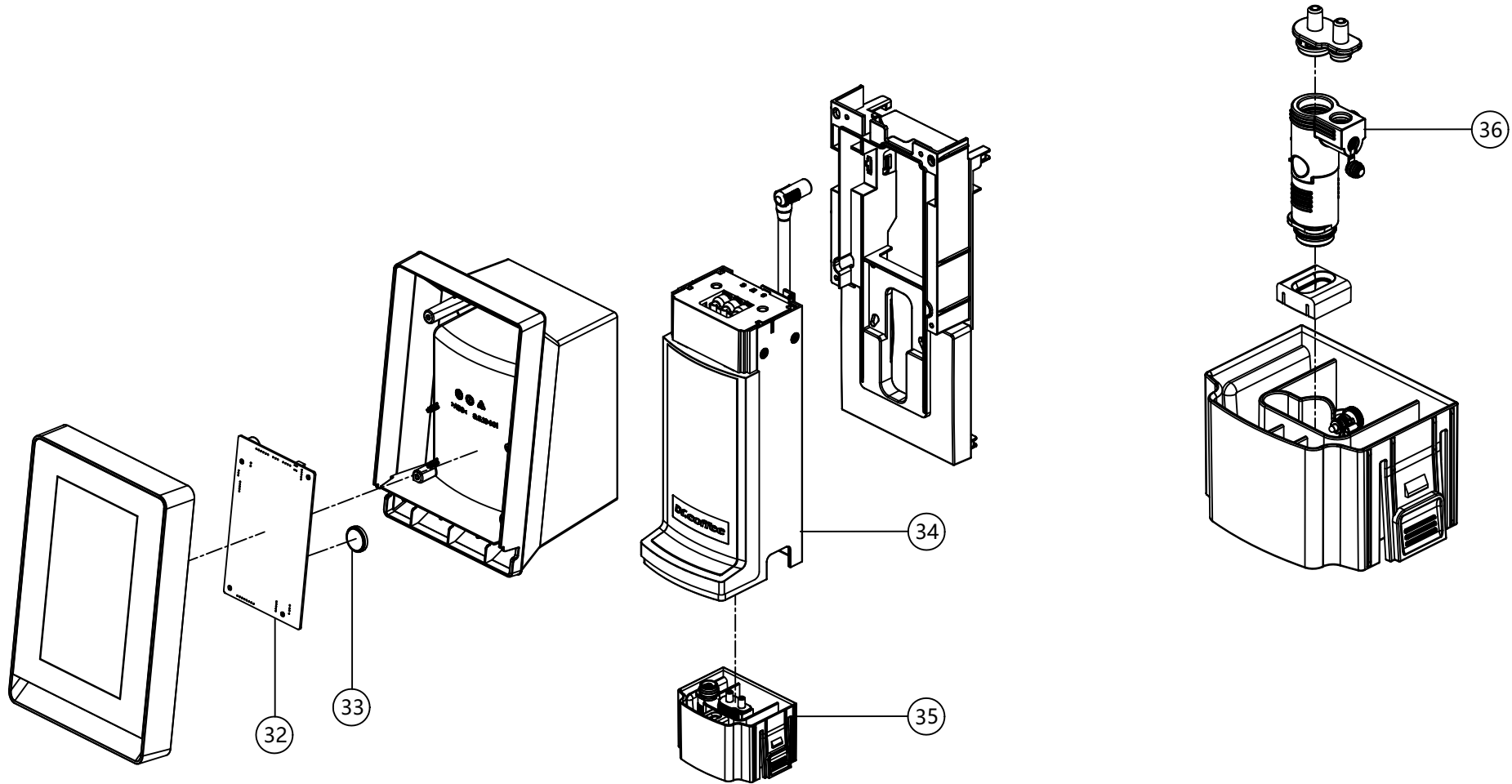
ITEM	DWG NO.	ENGLISH NAME	名称
3-28	9N0100061	Bean&powder container cover	Minibar豆盒&粉盒盖组



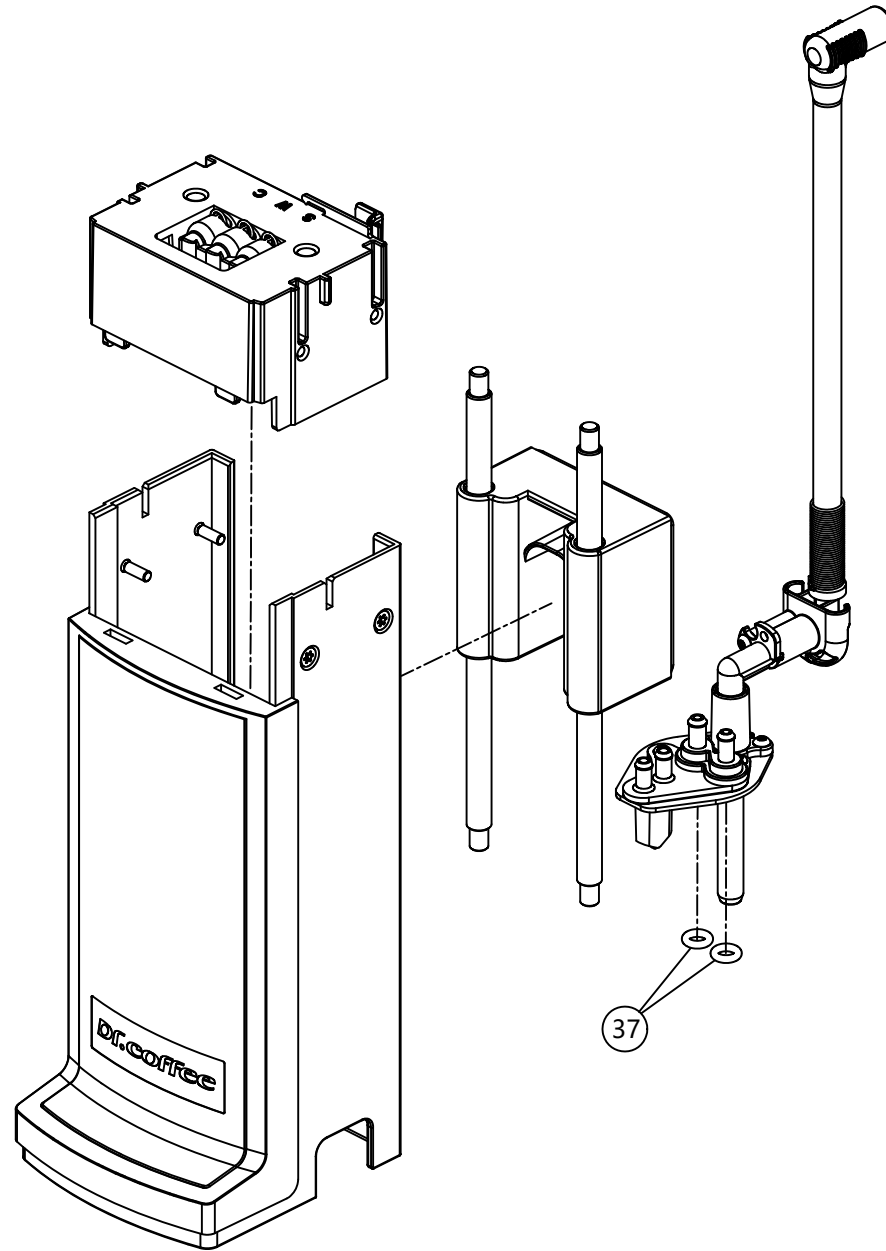
ITEM	DWG NO.	ENGLISH NAME	名称
4-29	9G0100032	O-ring $\phi 5.0 \times \phi 3.0$	水箱止逆阀密封圈
4-64	9G0200012	O-ring $\phi 18 \times \phi 2.0$	水箱出水口密封圈



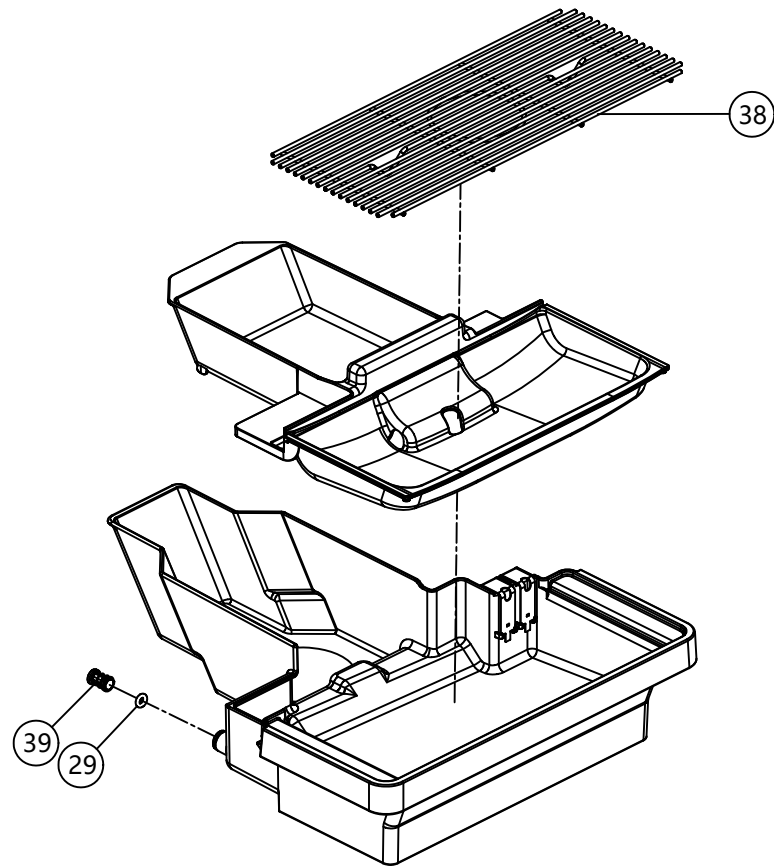
ITEM	DWG NO.	ENGLISH NAME	名称
5-30	9D0100011	Water level detection PCBA	水位检测PCB
5-31	9G0200003	Y-ring φ22.67*φ13.90	导水座Y型密封圈



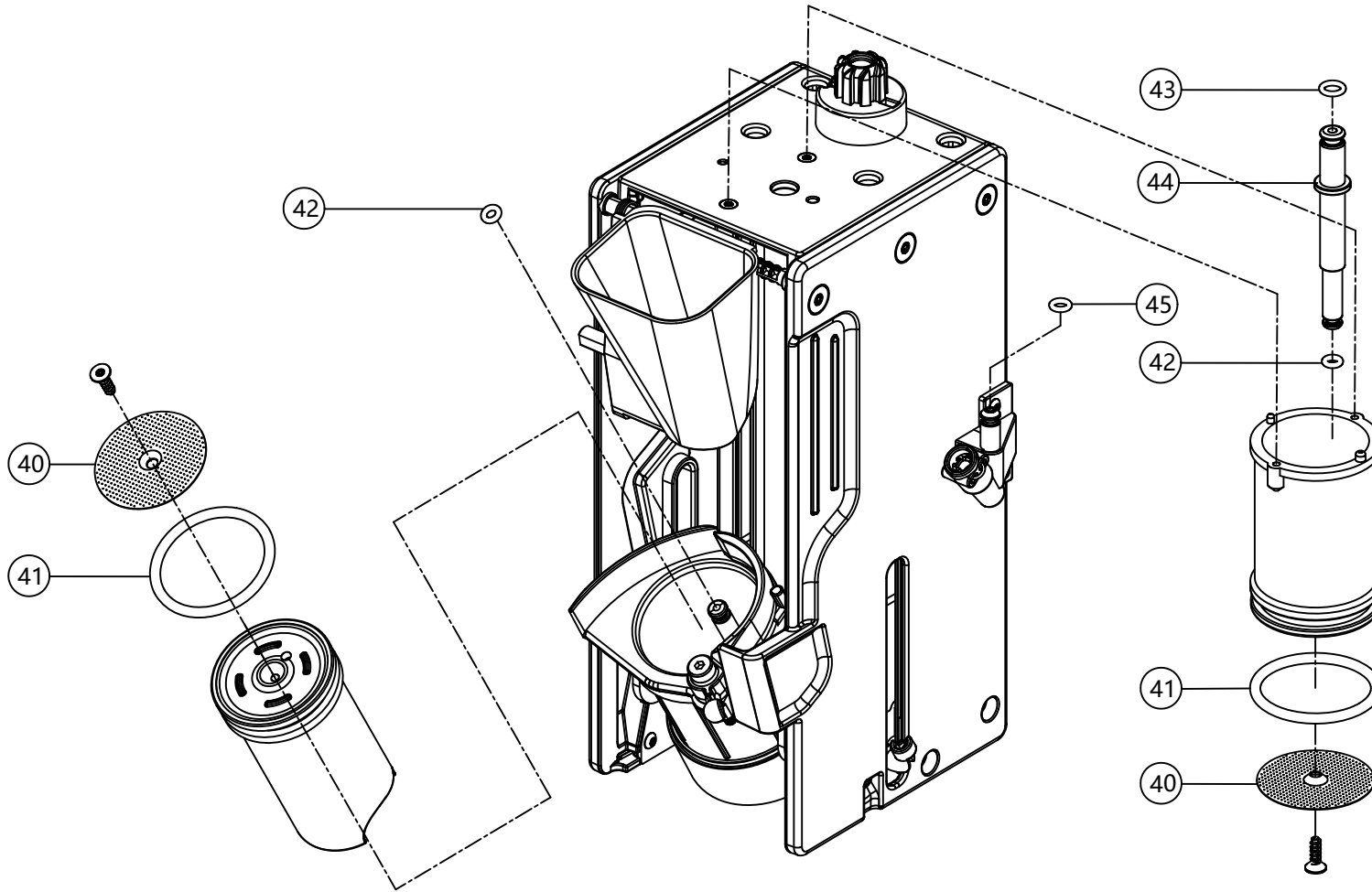
ITEM	DWG NO.	ENGLISH NAME	名称
6-32	9D0100053	HMI PCBA	HMI板
6-34	9N0100078	Guide rail assembly	Minibar导轨组
6-35	9N0100077	Integrated beverage group	单奶沫器饮品出口组
6-36	9G0200011	Foamer	Minibar奶沫器组



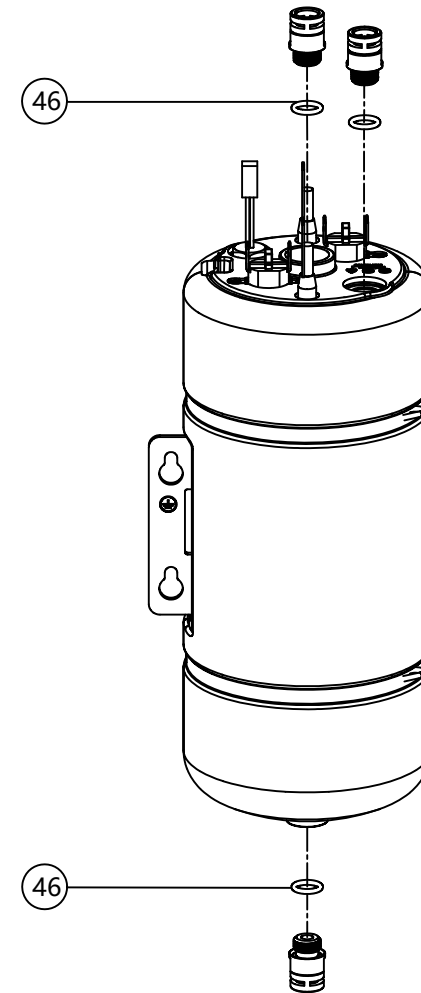
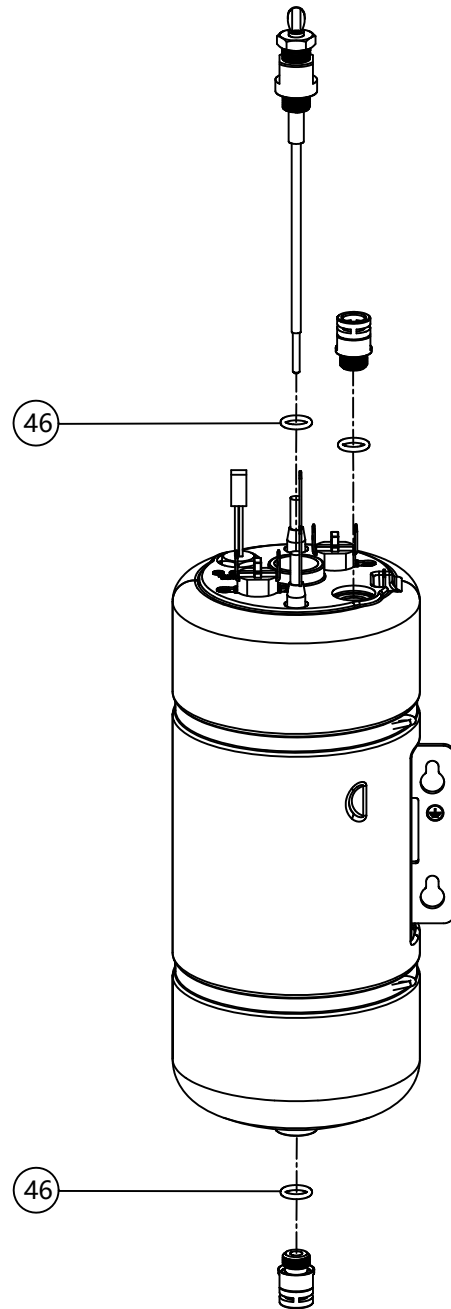
ITEM	DWG NO.	ENGLISH NAME	名称
7-37	9G0100026	O-ring $\phi 5.0 \times \phi 2.5$	奶沫器密封圈



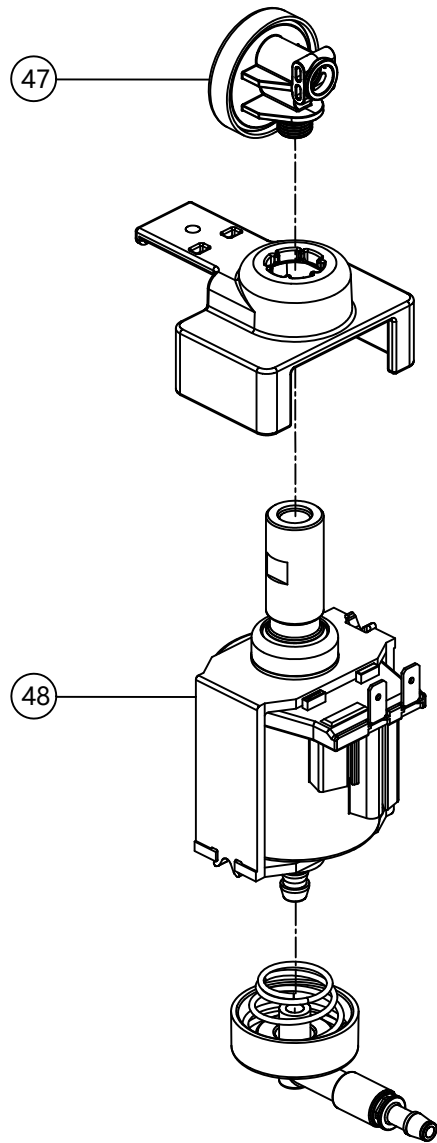
ITEM	DWG NO.	ENGLISH NAME	名称
8-38	9W0600004	Stainless steel tray	不锈钢托杯盘
8-39	9N0100116	One-way valve	单向阀组
8-29	9G0100032	O-ring $\phi 5.0 \times \phi 3.0$	水箱止逆阀密封圈



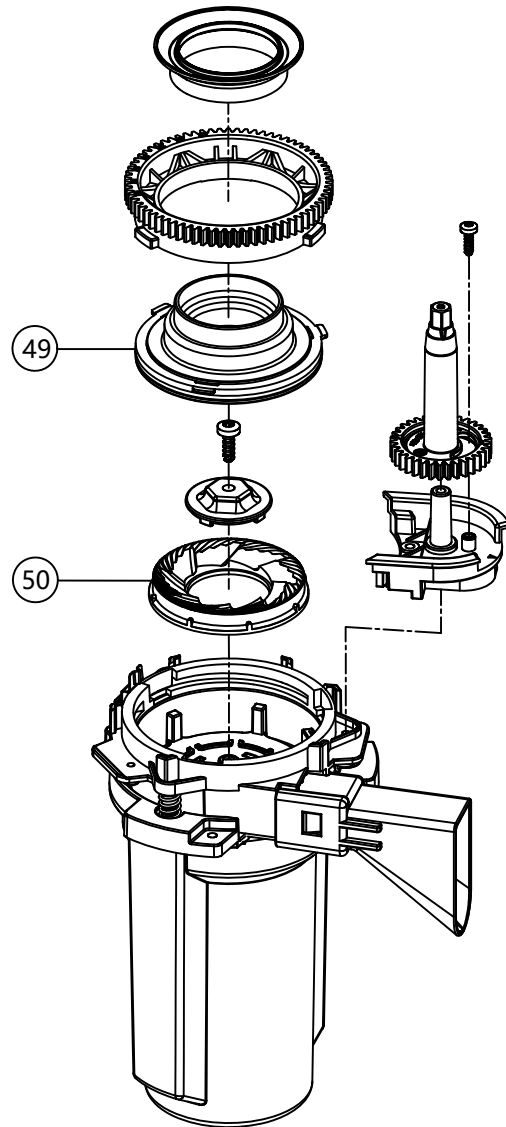
ITEM	DWG NO.	ENGLISH NAME	名称
9-40	9W0600002	Coffee Filter	冲煮头过滤网
9-41	9G0100007	O-ring $\phi 37.69 \times \phi 3.53$	冲煮头密封圈
9-42	9G0100014	O-ring $\phi 3.3 \times \phi 2.0$	铜套密封圈
9-43	9G0100024	O-ring $\phi 5.6 \times \phi 1.8$	冲泡器咖啡出口密封圈
9-44	9S0100084	Coffee outlet	冲泡器咖啡出口
9-45	9G0100021	O-ring $\phi 4 \times \phi 1.8$	导向轴密封圈



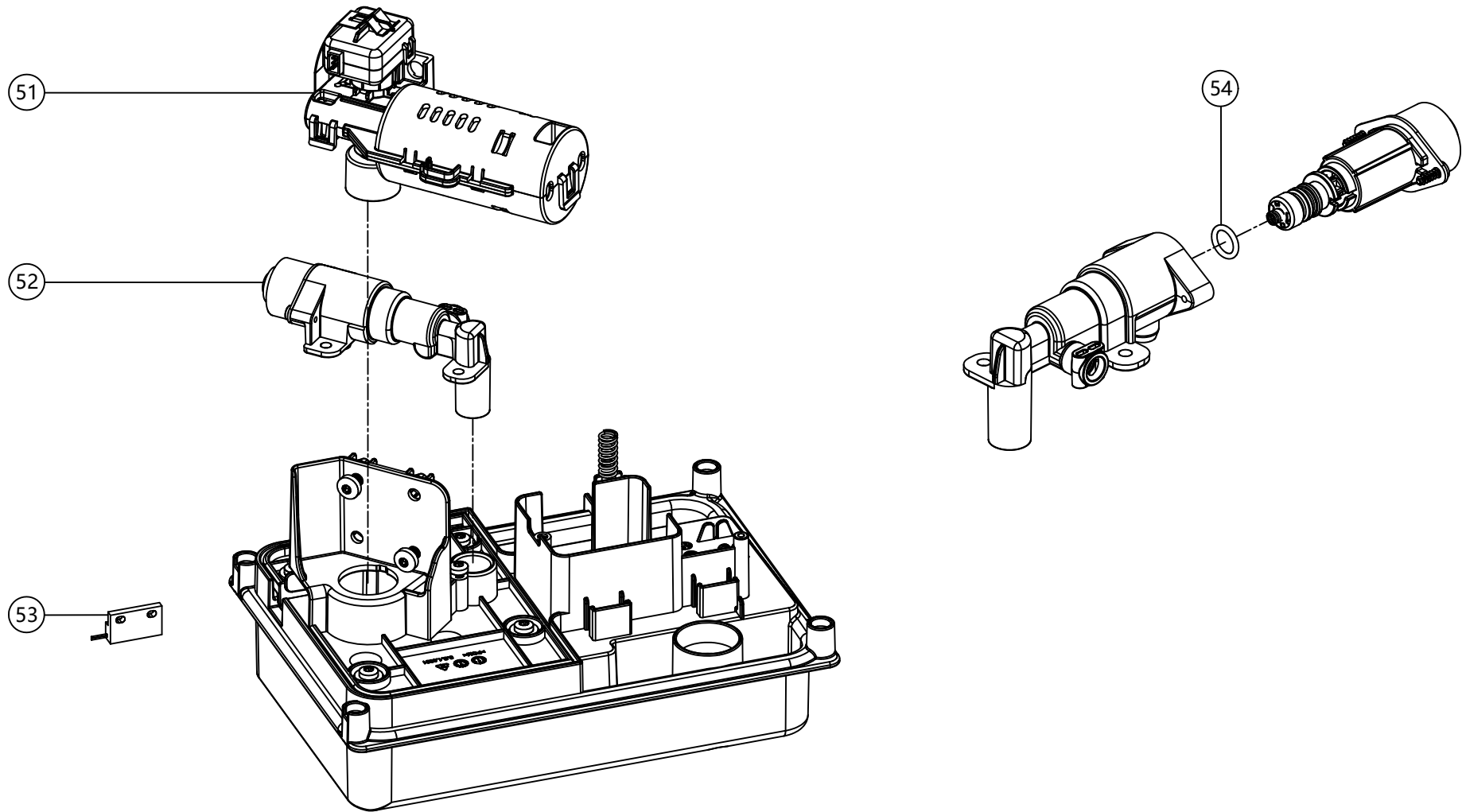
ITEM	DWG NO.	ENGLISH NAME	名称
10-46	9G0100049	O-ring φ9.5*φ1.5	锅炉接头密封圈



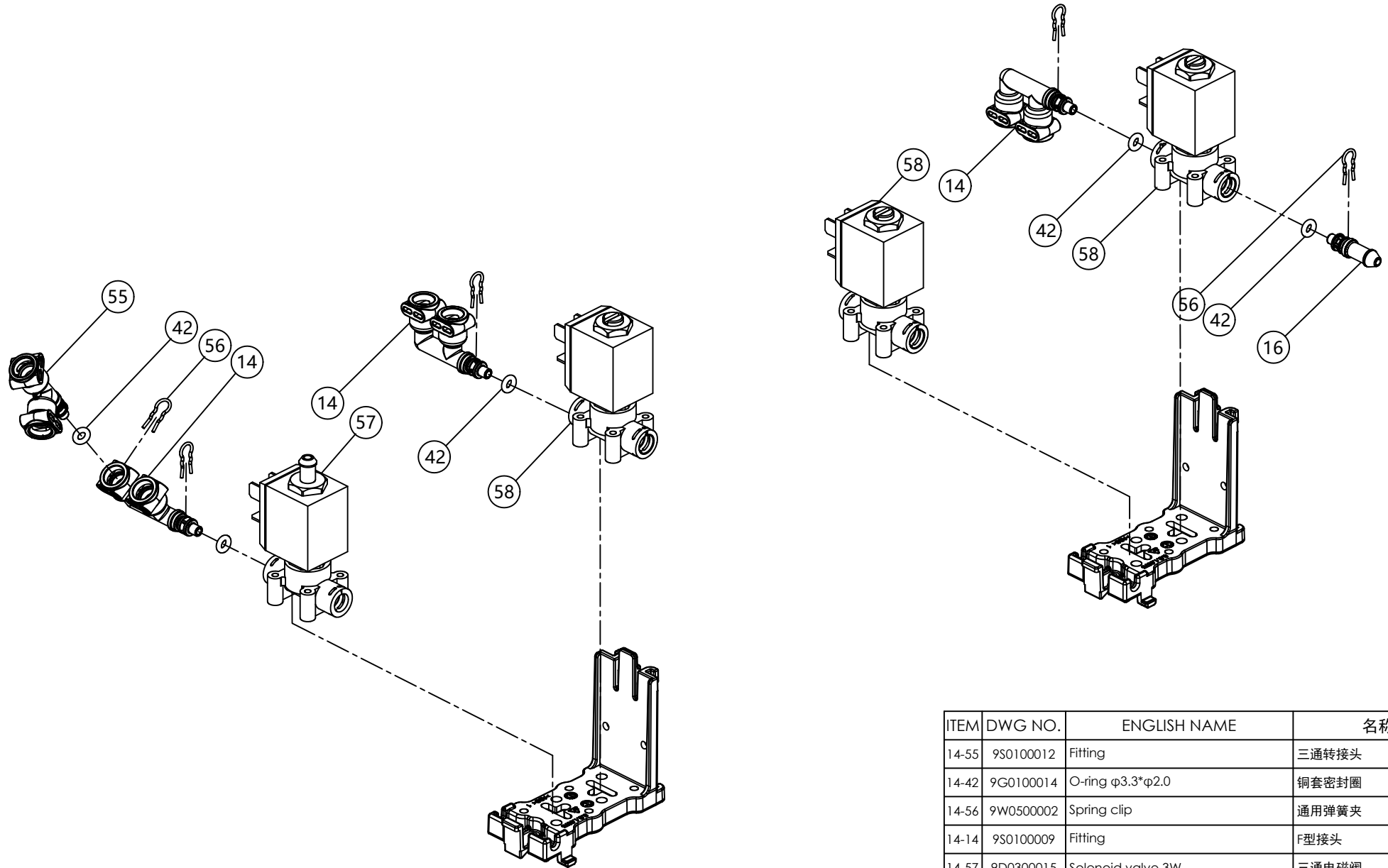
ITEM	DWG NO.	ENGLISH NAME	名称
11-47	9N0100007	Membrane controller group	稳压阀组
11-48	9D0300022	Pump (220-240V 50Hz)	水泵 (220-240V 50Hz)
	9D0300023	Pump (220-240V 60Hz)	水泵 (220-240V 60Hz)



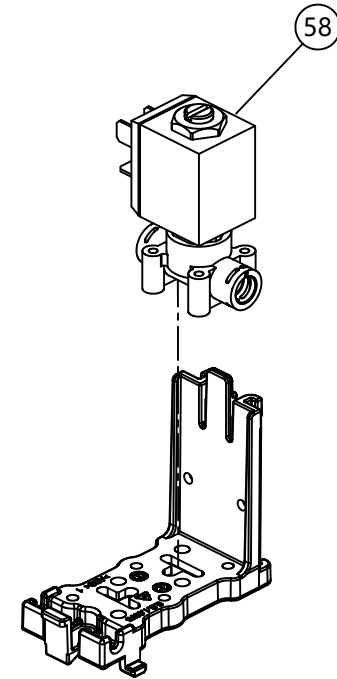
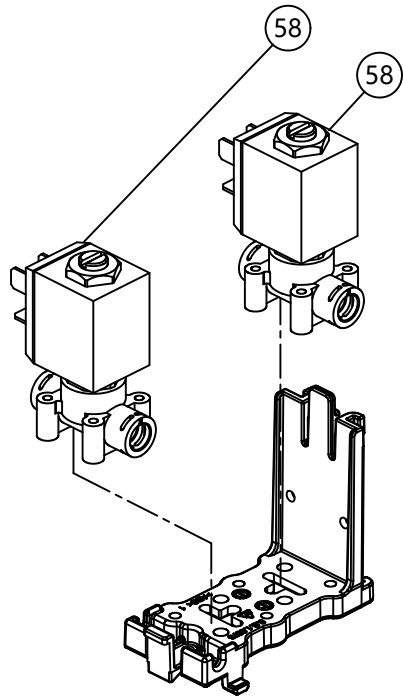
ITEM	DWG NO.	ENGLISH NAME	名称
12-49	9N0100040	Upper grinder burr assembly	上刀盘组
12-50	9T0100003	Grinder burr	磨豆刀



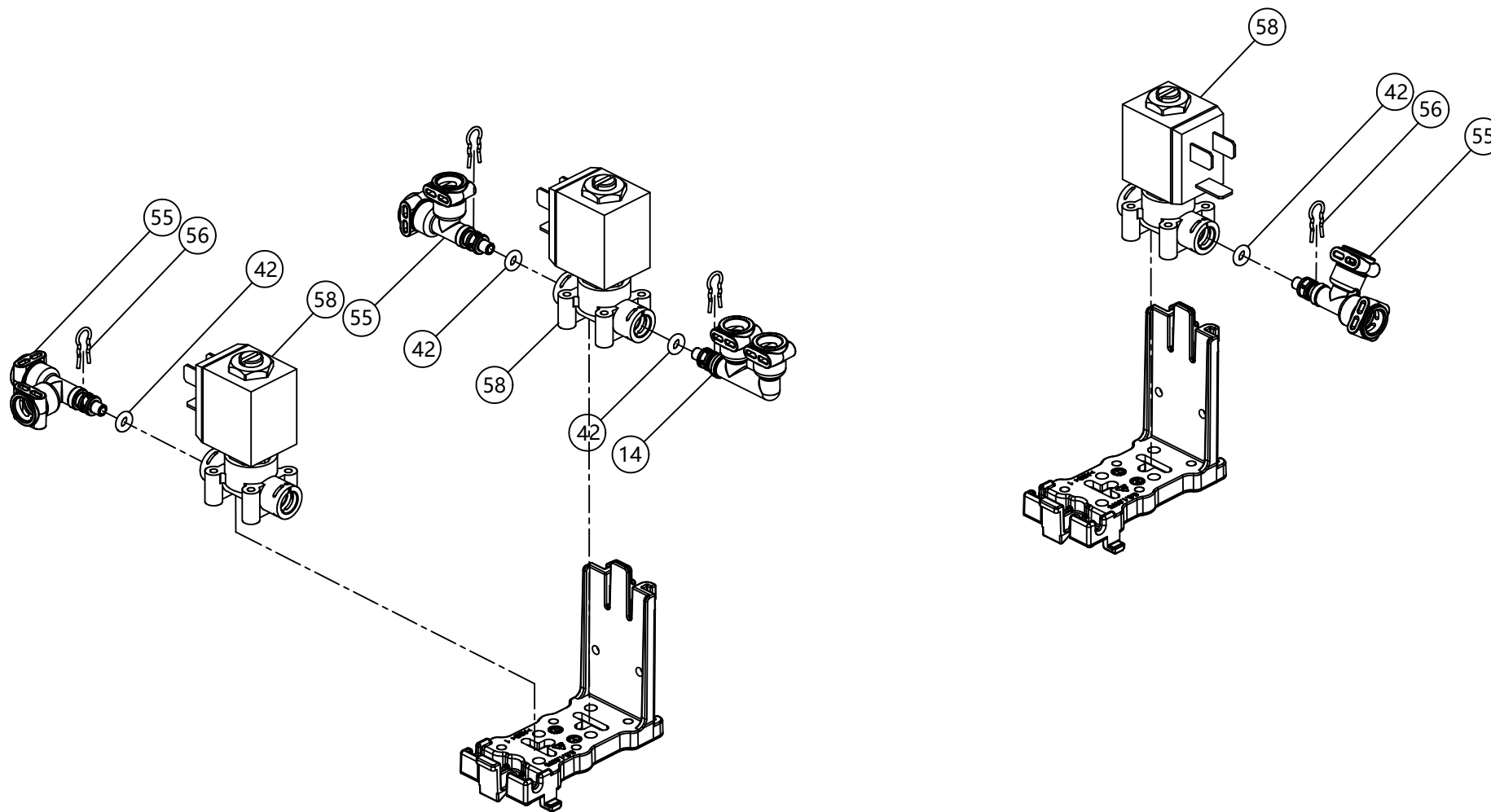
ITEM	DWG NO.	ENGLISH NAME	名称
13-51	9N0100068	Drive motor system	Minibar传动反馈组
13-52	9N0100076	Pressure regulating valve	Minibar蓄压阀组
13-53	9D0300003	Reed switch	干簧管
13-54	9G0100044	O-ring $\phi 8.5 \times \phi 1.8$	蓄压阀密封圈



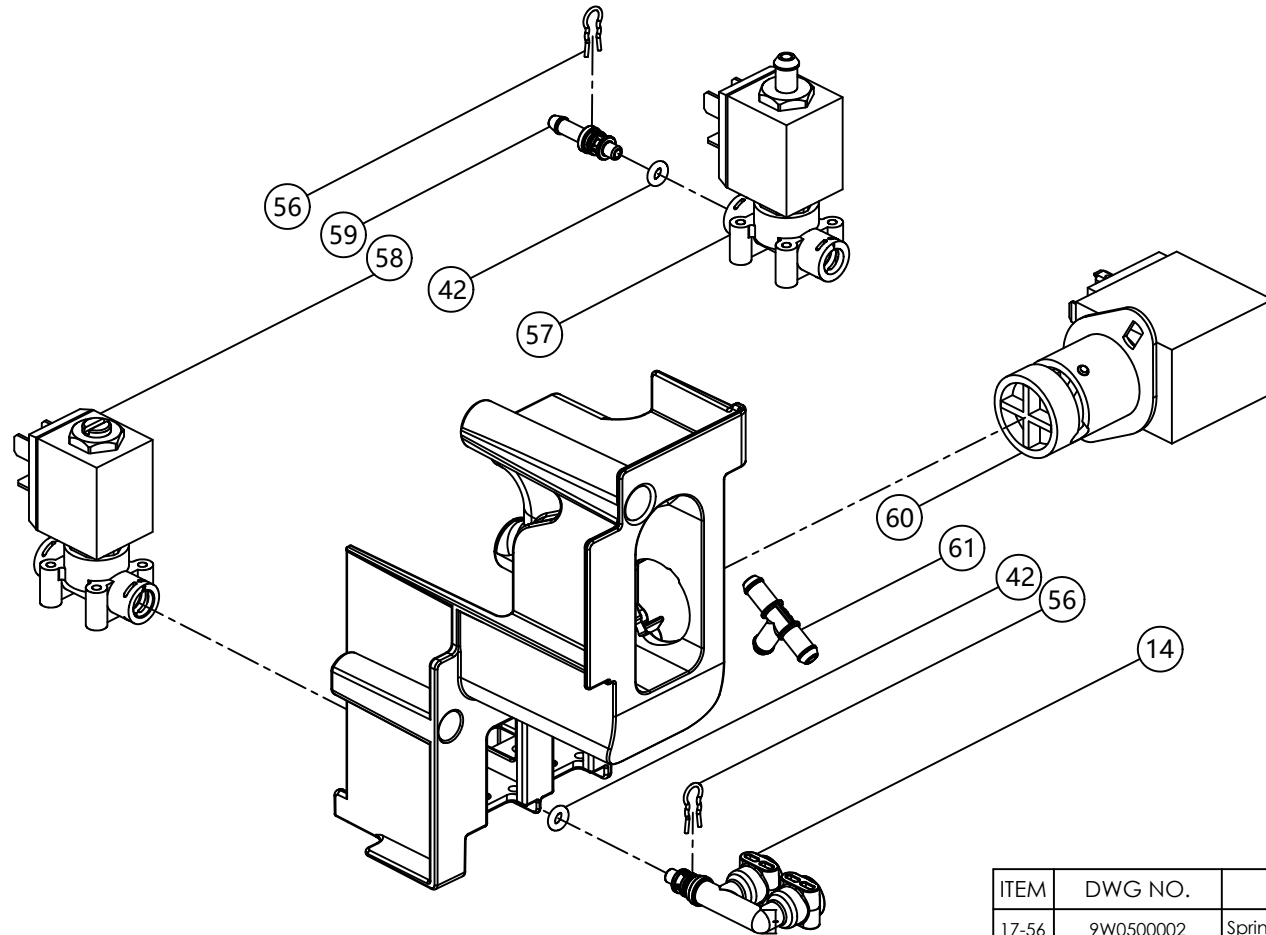
ITEM	DWG NO.	ENGLISH NAME	名称
14-55	9S0100012	Fitting	三通接头
14-42	9G0100014	O-ring $\phi 3.3 \times \phi 2.0$	铜套密封圈
14-56	9W0500002	Spring clip	通用弹簧夹
14-14	9S0100009	Fitting	F型接头
14-57	9D0300015	Solenoid valve 3W	三通电磁阀
14-58	9D0300009	Solenoid valve 2W	两通电磁阀
14-16	9S0100024	Hose connector(5*9)	软管接头 (5*9)



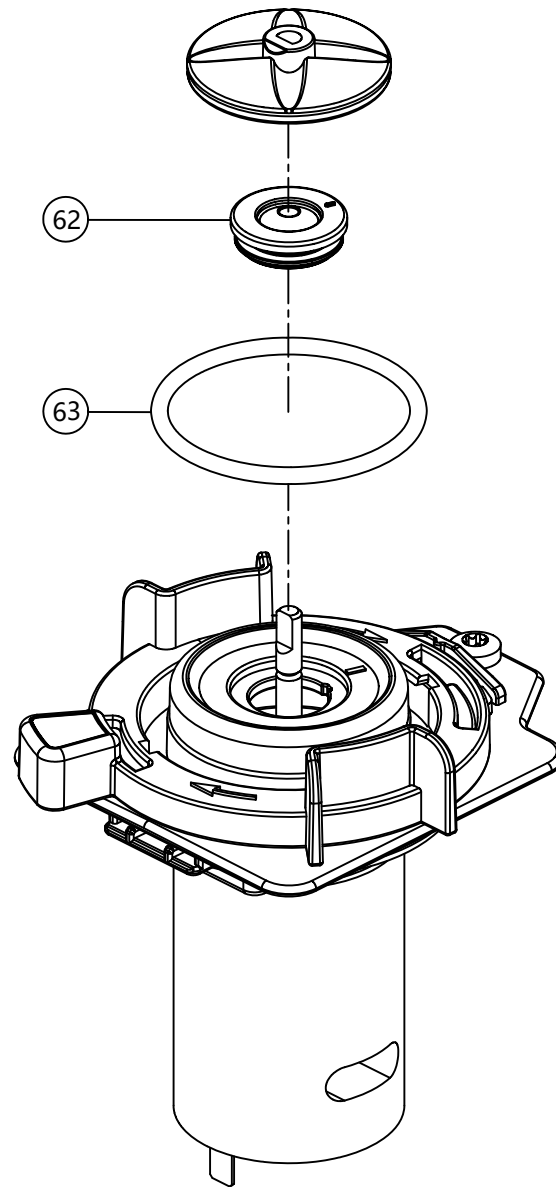
ITEM	DWG NO.	ENGLISH NAME	名称
15-58	9D0300009	Solenoid valve 2W	两通电磁阀



ITEM	DWG NO.	ENGLISH NAME	名称
16-55	9S0100012	Fitting	三通转接头
16-56	9W0500002	Spring clip	通用弹簧夹
16-42	9G0100014	O-ring $\phi 3.3 * \phi 2.0$	铜套密封圈
16-58	9D0300009	Solenoid valve 2W	两通电磁阀
16-14	9S0100009	Fitting	F型接头



ITEM	DWG NO.	ENGLISH NAME	名称
17-56	9W0500002	Spring clip	通用弹簧夹
17-59	9S0100023	3 Way hose conector	三通软管接头6mm
17-58	9D0300009	Solenoid valve 2W	两通电磁阀
17-42	9G0100014	O-ring $\phi 3.3 \times \phi 2.0$	铜套密封圈
17-57	9D0300015	Solenoid valve 3W	三通电磁阀
17-60	9D0300029	Pinch valve	夹管阀
17-61	9S0100019	3 way hose connector	三通软管接头6mm
17-14	9S0100009	Fitting	F型接头



ITEM	DWG NO.	ENGLISH NAME	名称
18-62	9G0200007	Seal ring of mixer moto	F2粉料搅拌电机轴密封圈
18-63	9G0100036	O-ring $\phi 37.77 \times \phi 2.62$	粉料搅拌室密封圈